



WDJ/WDJV Roof Fans

Roof fans are used for removing the air from the production warehouses, storage warehouses, retail pavilions, shops, offices, single family houses etc. Removed foul air can be polluted with the dusts within the limits of the environment protection regulations.

DESCRIPTION

PRODUCT DESCRIPTION

Fans are made with: horizontal air outflow type WDJ and vertical air outflow type WDJV Series of types of roof fans includes 4 sizes for each type. Fans consists of:

- high-efficiency radial impeller made of synthetic material, driven by an AC (asynchronous) or EC (electronically commutated) motor;
- carrying plate made of galvanized steel sheets for the WDJ type and made of polyester-glass laminate for the WDJV type;
- plastic cover for WDJ type or cover polyester-glass laminate for WDJV.

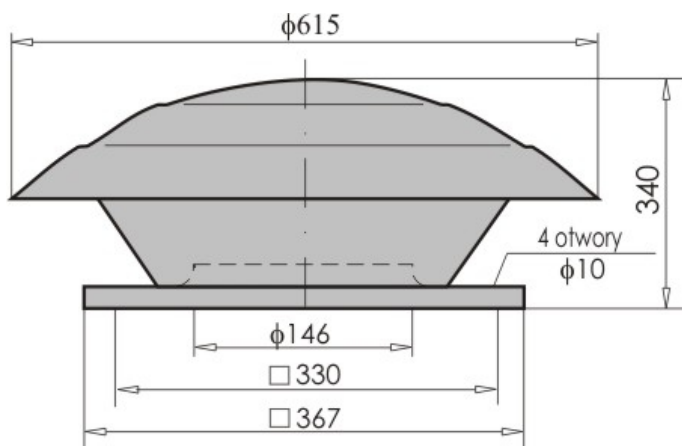
Fans are adapted for mounting them on the PU universal bases.

WORKING CONDITIONS

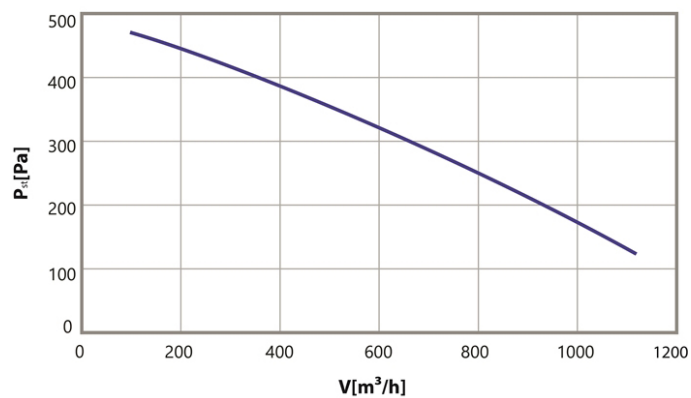
Fans are supplied with the single-phase motors. The maximum permissible exhaust air temperature is 50°C for AC motors and 60°C for EC motors.

WDJ-22,5

DIMENSIONS



CHARACTERISTICS:



Single phase motor

Motor type	M2E068-DF
Voltage [V]	230
Motor power [kW]	0,160
Current [A]	0,7
Revolutions [rpm]	2600