



SMART Air Curtains

Air curtains are used for protection against outer air inflow at doors and construction outer holes in shops, department stores, workshops etc. They are fitted for deriving and heating air from inside a room. The curtains are fitted for installation at doors high up to 2,5 m.

DESCRIPTION

PRODUCT DESCRIPTION

The curtains consist of:

- housing made of steel sheet
- electric or water heater
- fan

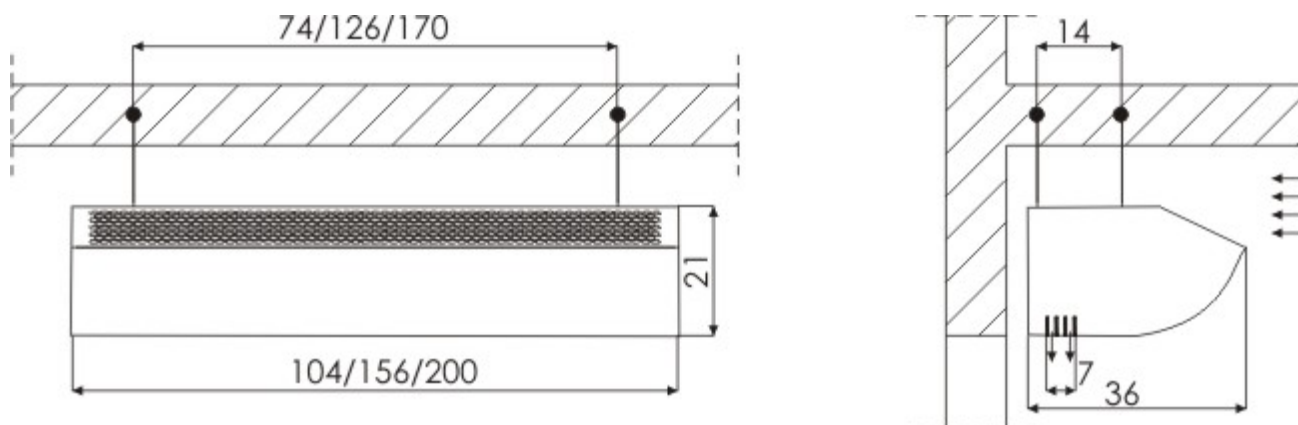
The curtains are made in three lengths 104, 156 and 200 cm.

WORKING CONDITIONS

Water heaters are fed with water of 150°C or lower temperature and pressure of 1,5Mpa. Electric heater power supply is three-phase 400V. Curtains with 100cm length could be equipped with single phase electric heater with thermal power of 3kW. The heaters are equipped with protection against exceeding max. temperature of heaters operation.

SMART-200-Z

DIMENSIONS



Fan Parameters

| | |
|----------------------------------|---------|
| Voltage (V) | 230 |
| Motor power (kW) | 0,130×2 |
| Current (A) | 0,60×2 |
| Fan speed (rpm) | 1250 |
| Airflow (m³/h) | 3900 |

Noise Level (dB(A))

| Selected speed | At a distance of 1 m | At a distance of 3 m |
|-----------------------|-----------------------------|-----------------------------|
| 3 | 62 | 59 |
| 2 | 57 | 54 |
| 1 | 51 | 48 |

Weight

| | |
|--------------------|----|
| Weight (kg) | 38 |
|--------------------|----|