



SILVER Air Curtains

SILVER air curtains combine contemporary architectural styling with high-performance air barrier technology, making them an ideal solution for modern commercial and public interiors. Designed to minimise heat loss and unwanted air exchange through open doorways, they help maintain a comfortable indoor environment while improving overall energy efficiency and reducing operating costs. Unit lengths are matched to standard doorway widths to ensure effective entrance protection and consistent airflow coverage.

SILVER air curtains are suitable for a wide range of applications, including:

- Shopping centres and supermarkets
- Restaurants, bars, hotels, and banks
- Public buildings and office facilities
- Hospitals, pharmacies, warehouses, and similar environments

The units are designed to recirculate and heat indoor air. They can also operate as ambient (unheated) air curtains where heating is not required.

Silver air curtains are suitable for doorways and building openings up to:

- approx. 2.5 m — Size 1
- approx. 3.0 m — Size 2
- approx. 4.0 m — Size 3

Multiple units can be installed side by side to match wider entrances and provide continuous air protection across the full doorway width.

DESCRIPTION

PRODUCT DESCRIPTION

The air curtains consist of the following components:

- A robust powder-coated steel casing with a full-length discharge slot and durable plastic side panels
- A water or electric heating coil
- Double-inlet centrifugal fans, available in configurations of 2, 3, 4, or 5 units

The air curtains are available in three sizes, each offered in three different lengths, ensuring precise adaptation to doorway dimensions.

Horizontal (Over-Door) Installation

- Designed for suspended ceiling or support structure mounting
- Suitable for standard commercial and public building entrances
- Additional fixing points provide enhanced installation stability where required

Vertical (Side-Mounted) Installation

- Ideal for large door openings
- Supplied with integrated support feet for secure floor mounting

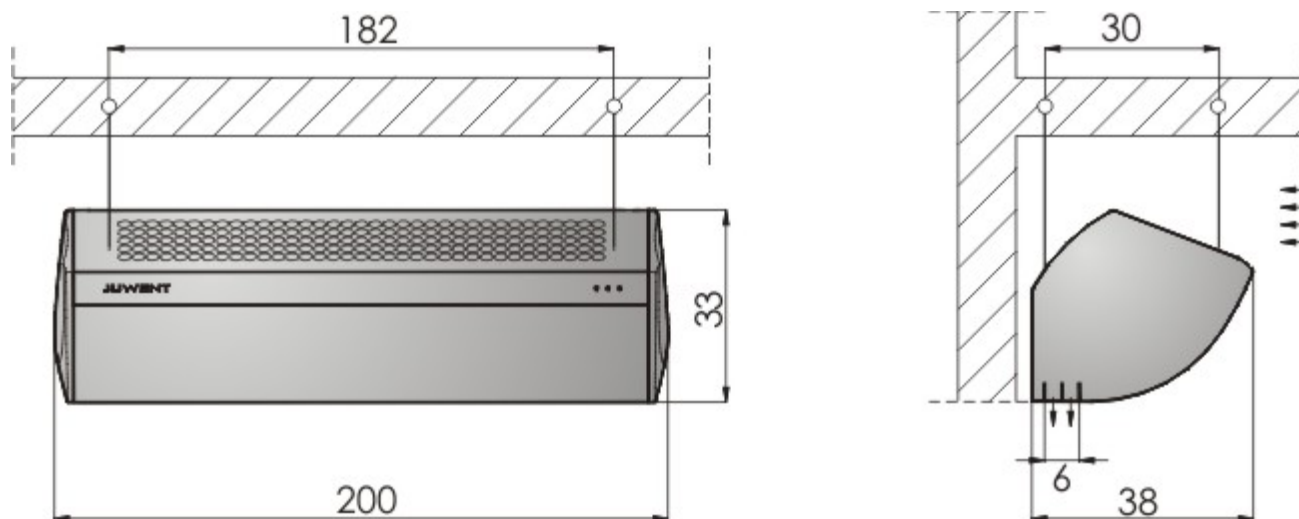
- Available in left-hand or right-hand configurations to suit entrance layout requirements

OPERATING CONDITIONS

Water-heated models are designed for operation with heating water temperatures up to 150°C and operating pressures up to 1.5 MPa. Electric-heated models operate on a 400 V three-phase power supply and feature integrated overheat protection for safe and reliable operation.

SILVER-1-200-E

DIMENSIONS



Parameters of fans in curtain

Number of fans	4
Voltage [V]	230
Motor power [kW]	0,16
Current [A]	0,7
Revolutions [rpm]	1270

Thermal power and air flow of the curtain with the electric heaters

Air flow [m³/h]	3000
Thermal power levels [kW]	12

Operational noise level [dB(A)]

From distance of 1m	66
From distance of 3m	62

Curtain weight

Weight [kg]	65
--------------------	----