

## KP/BB Air Curtains

Air curtains for doors and gates are used for protection against outdoor air intake at gates and constructional holes and in doors in halls of industrial plants, storerooms, department stores etc. . They are fitted for deriving and heating air from outside a room. They may also be used without heating air as so called "cold" curtains. The curtains are fitted for installation at gates at the height of 2÷6 m. They may be positioned above gates or at the their sides. Several curtains in a row may be used.

### PRODUCT DESCRIPTION

The curtains consist of:

- housing made of galvanized sheet (with possibility of painting) with intake crack along the whole length
- water or heater electric heater (only sizes 01, 02)
- axial-flow fans (2,3,4 or 5)

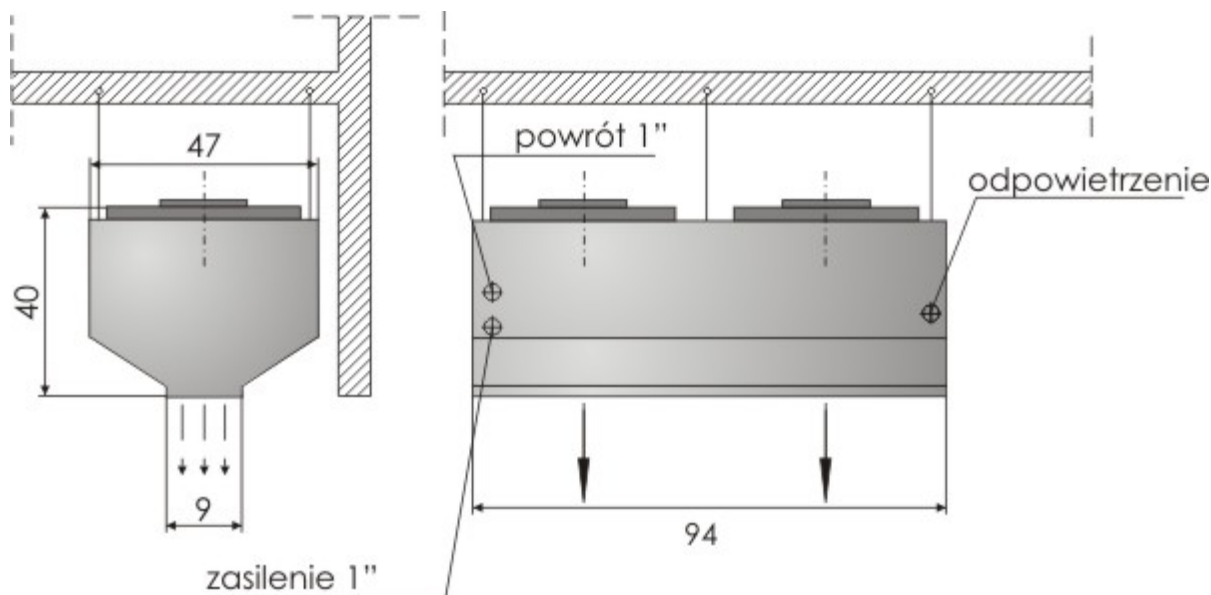
The curtains are offered in two variants A and B, with five sizes in each. Each size of a curtain is manufactured in several lengths. B variant with increased spacing of fans and with less quantity of air is meant for milder conditions of the curtain operation.

### WORKING CONDITIONS

The curtains allow for air speed at the floor within the limits of 2,5 ÷ 6 m/s. The water heaters are supplied with water with the temperature of 150°C or lower and the pressure of up to 1,5MPa.

## KP/BB-A-01-94-W

### DIMENSIONS



Fan Parameters		
Number of fans	2	
Voltage (V)	230	400
Motor power (kW)	0,13	0,12
Current (A)	0,59	0,29
Fan speed (rpm)	1400	1410

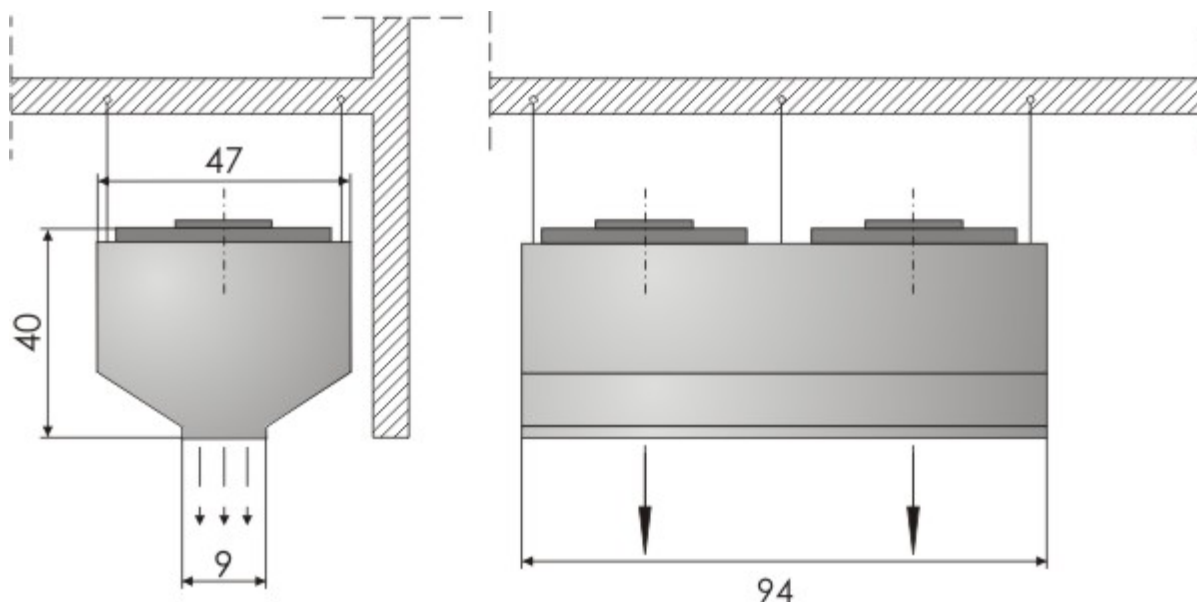
Airflow and Heating Capacity of Water-Heated Air Curtain				
Airflow (m <sup>3</sup> /h)			2900	
Heating capacity (kW), discharge air temperature (°C) and water pressure drop (kPa)				
Water temperatures (°C)	Entering air temperature (°C)	kW	°C	kPa
90/70	5	15,2	20	2,1
	10	13,7	23	1,8
	15	12,3	27	1,4
80/60	5	12,5	17	1,5
	10	11,1	21	1,2
	15	9,7	24	1,0
70/50	5	10,0	14	1,1
	10	8,5	18	0,9
	15	7,4	22	0,7

<b>60/40</b>	<b>5</b>	7,5	12	0,7
	<b>10</b>	6,3	16	0,5
	<b>15</b>	5,1	20	0,4

<b>Noise Level (dB(A))</b>	
<b>Noise level at distance of 3m</b>	60
<b>Curtain weight</b>	
<b>Weight [kg]</b>	47

## KP/BB-A-01-94-E

### DIMENSIONS



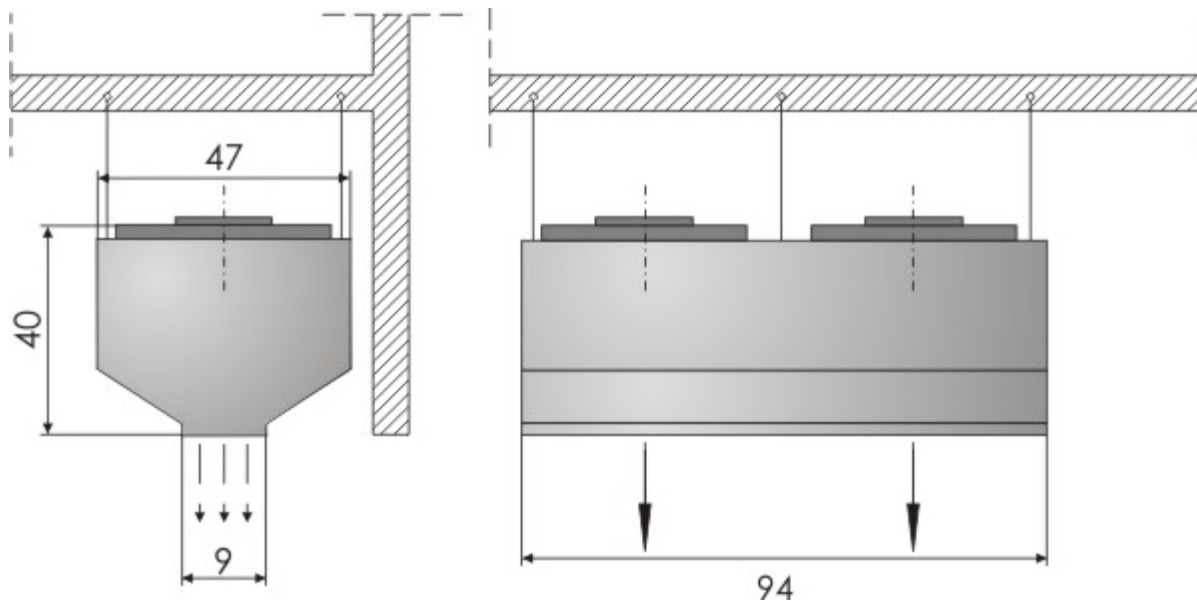
Fan Parameters		
Number of fans	2	
Voltage (V)	230	400
Motor power (kW)	0,13	0,12
Current (A)	0,59	0,29
Fan speed (rpm)	1400	1410

Thermal power and air flow of the curtain with the electric heaters	
Air flow [m <sup>3</sup> /h]	2900
Thermal power levels [kW]	3 / 9 / 12

Noise Level (dB(A))	
From distance of 1m	60
Curtain weight	
Weight [kg]	47

# KP/BB-A-01-94-Z

## DIMENSIONS

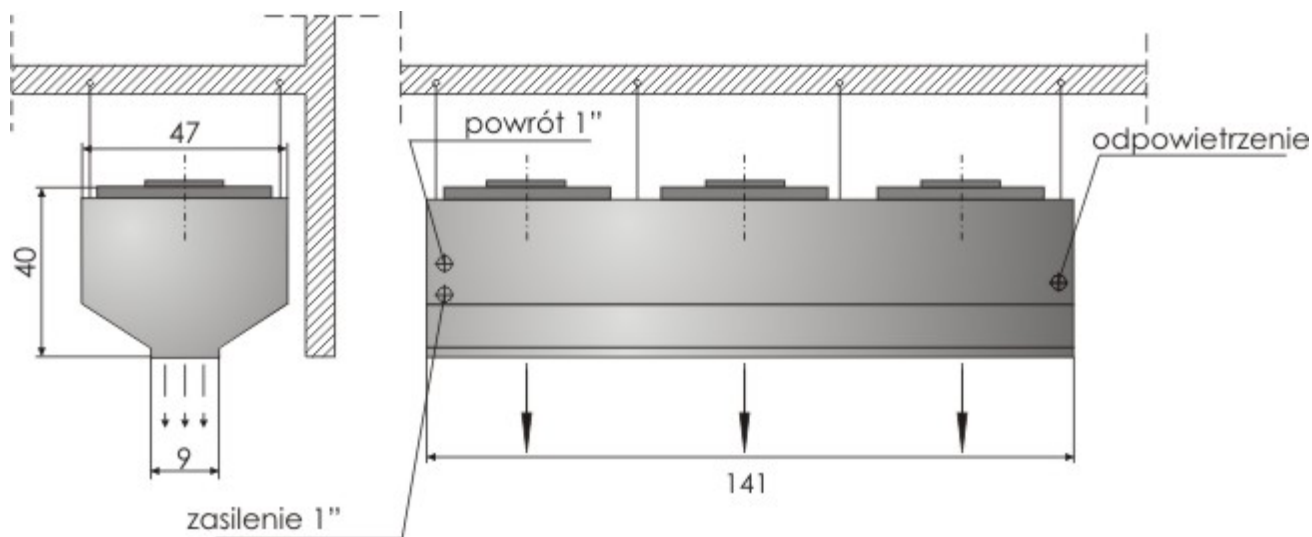


Fan Parameters		
Number of fans	2	
Voltage (V)	230	400
Motor power (kW)	0,13	0,12
Current (A)	0,59	0,29
Fan speed (rpm)	1400	1410
Airflow (m <sup>3</sup> /h)	2900	

Noise Level (dB(A))	
From distance of 3m	60
Curtain weight	
Weight [kg]	47

## KP/BB-A-01-141-W

### DIMENSIONS



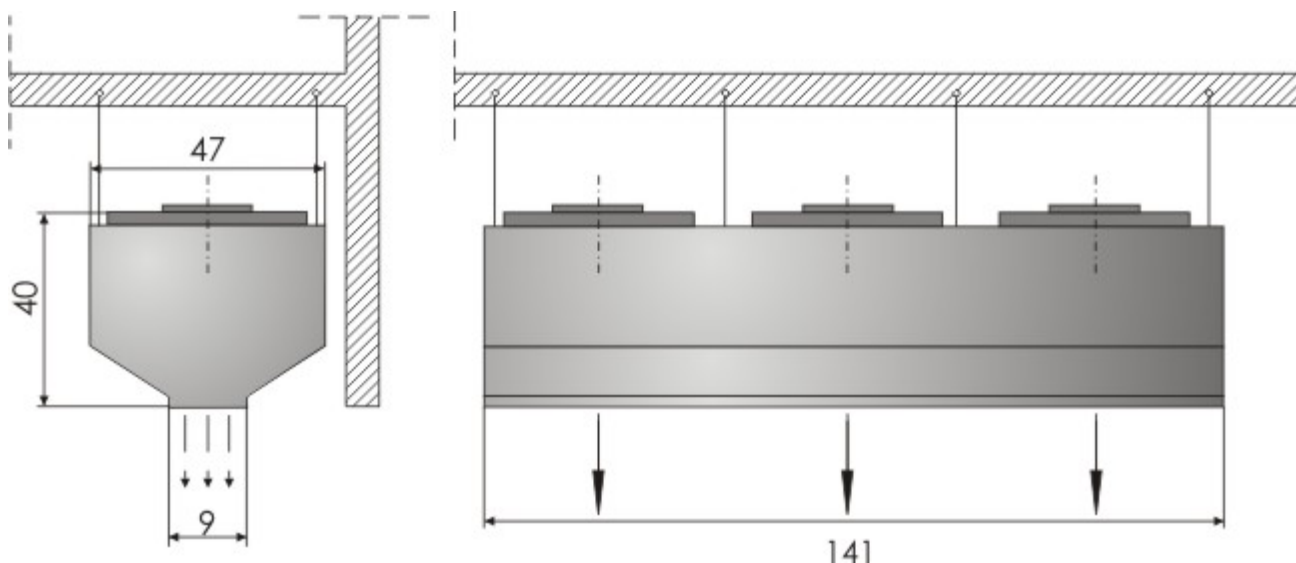
Fan Parameters		
Number of fans	3	
Voltage (V)	230	400
Motor power (kW)	0,13	0,12
Current (A)	0,59	0,29
Fan speed (rpm)	1400	1410

Airflow and Heating Capacity of Water-Heated Air Curtain				
Airflow (m <sup>3</sup> /h)			4350	
Heating capacity (kW), discharge air temperature (°C) and water pressure drop (kPa)				
Water temperatures (°C)	Entering air temperature (°C)	kW	°C	kPa
90/70	5	23,0	20	2,1
	10	21,1	24	1,8
	15	18,4	27	1,4
80/60	5	18,8	17	1,5
	10	17,1	21	1,2
	15	14,6	24	1,0
70/50	5	14,9	14	1,1
	10	13,2	18	0,9
	15	11,1	22	0,7
60/40	5	11,2	12	0,7
	10	9,6	16	0,5
	15	7,6	20	0,4

<b>Noise Level (dB(A))</b>	
<b>From distance of 3m</b>	60
<b>Curtain weight</b>	
<b>Weight [kg]</b>	68

# KP/BB-A-01-141-E

## DIMENSIONS



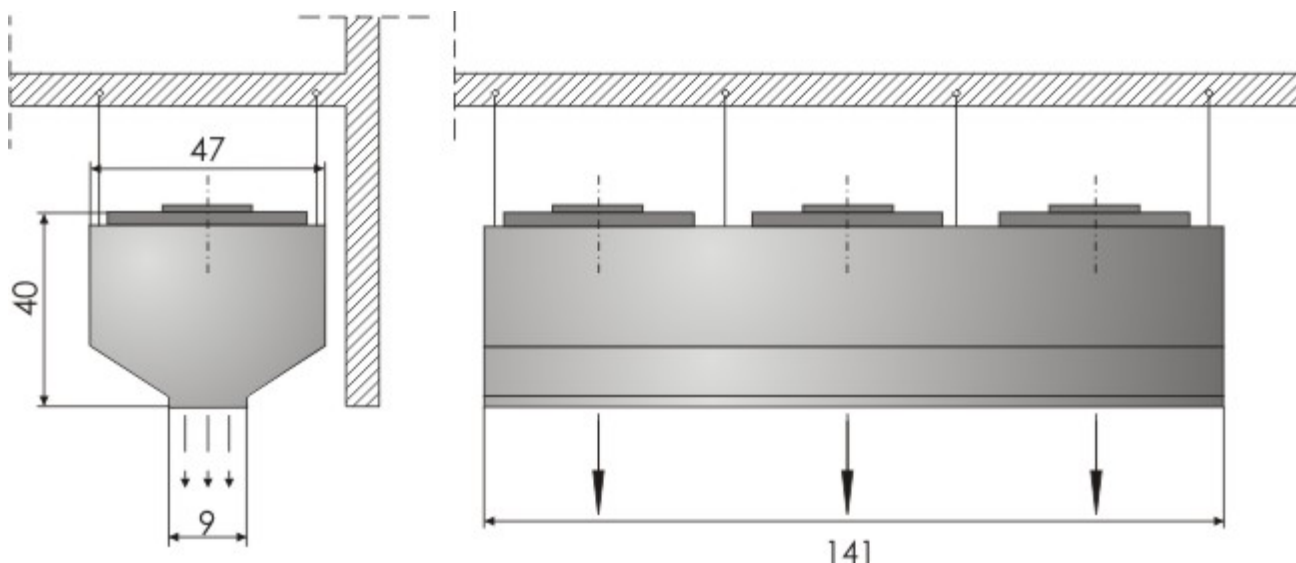
Fan Parameters		
Number of fans	3	
Voltage (V)	230	400
Motor power (kW)	0,13	0,12
Current (A)	0,59	0,29
Fan speed (rpm)	1400	1410

Thermal power and air flow of the curtain with the electric heaters		
Air flow [m <sup>3</sup> /h]	4350	
Thermal power levels [kW]	6 / 12 / 18	

Noise Level (dB(A))	
From distance of 3m	60
Curtain weight	
Weight [kg]	68

# KP/BB-A-01-141-Z

## DIMENSIONS

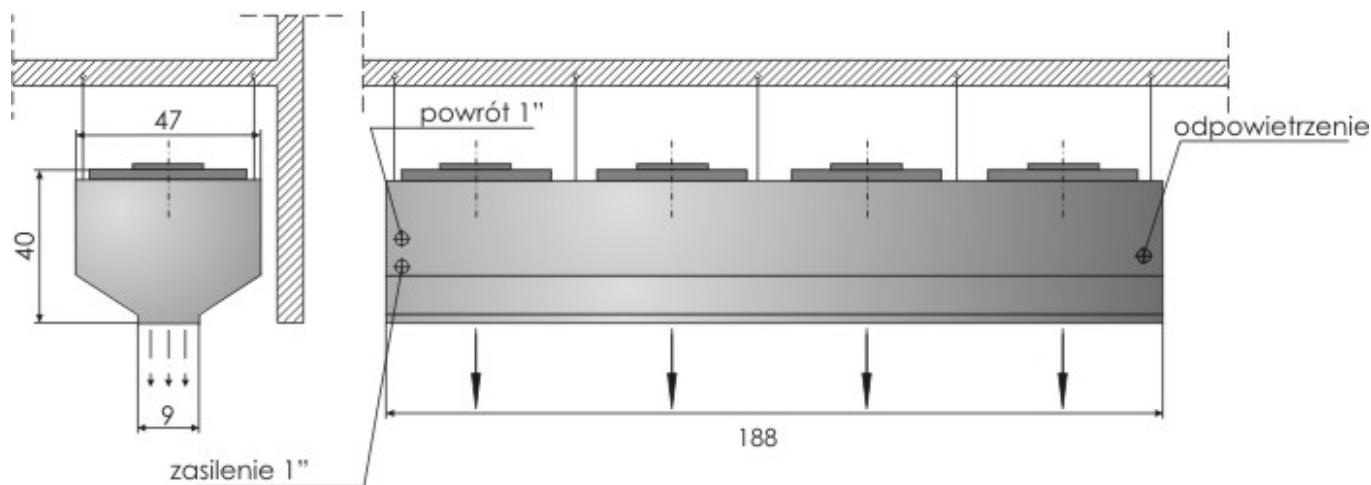


Fan Parameters		
Number of fans	3	
Voltage (V)	230	400
Motor power (kW)	0,13	0,12
Current (A)	0,59	0,29
Fan speed (rpm)	1400	1410
Airflow (m <sup>3</sup> /h)	4350	

Noise Level (dB(A))	
From distance of 3m	60
Curtain weight	
Weight [kg]	68

# KP/BB-A-01-188-W

## DIMENSIONS



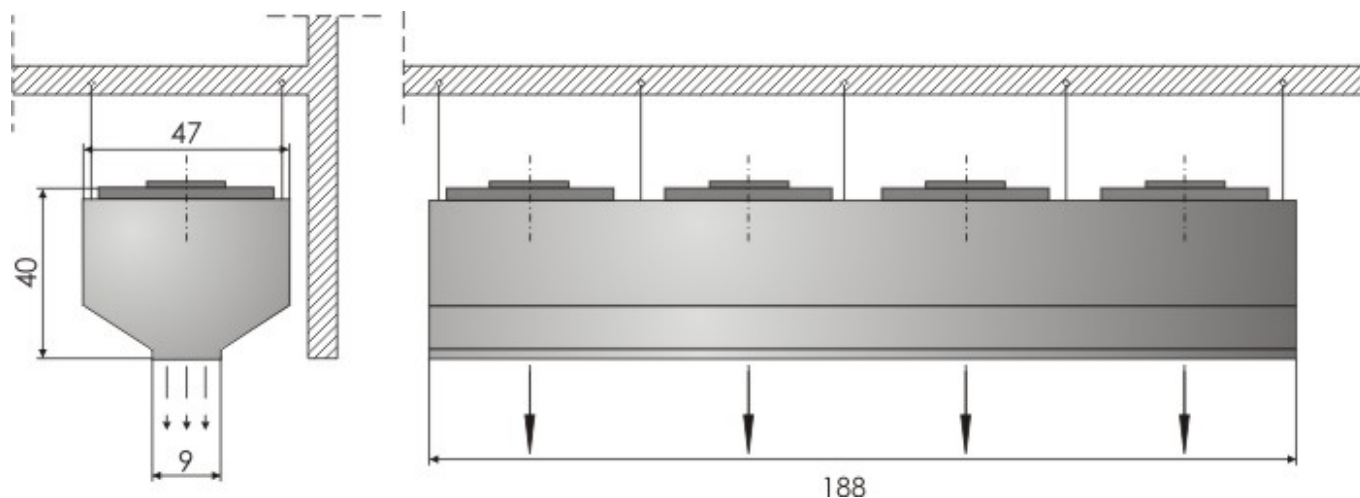
Fan Parameters		
Number of fans	4	
Voltage (V)	230	400
Motor power (kW)	0,13	0,12
Current (A)	0,59	0,29
Fan speed (rpm)	1400	1410

Airflow and Heating Capacity of Water-Heated Air Curtain				
Airflow (m <sup>3</sup> /h)			5800	
Heating capacity (kW), discharge air temperature (°C) and water pressure drop (kPa)				
Water temperatures (°C)	Entering air temperature (°C)	kW	°C	kPa
90/70	5	30,6	20	2,1
	10	27,6	23	1,8
	15	24,6	27	1,4
80/60	5	25,1	17	1,5
	10	22,3	21	1,2
	15	19,5	24	1,0
70/50	5	20,2	14	1,1
	10	17,3	18	0,9
	15	14,7	22	0,7
60/40	5	15,0	12	0,7
	10	12,6	16	0,5
	15	10,2	20	0,4

<b>Noise Level (dB(A))</b>	
<b>From distance of 3m</b>	60
<b>Curtain weight</b>	
<b>Weight [kg]</b>	89

## KP/BB-A-01-188-E

### DIMENSIONS



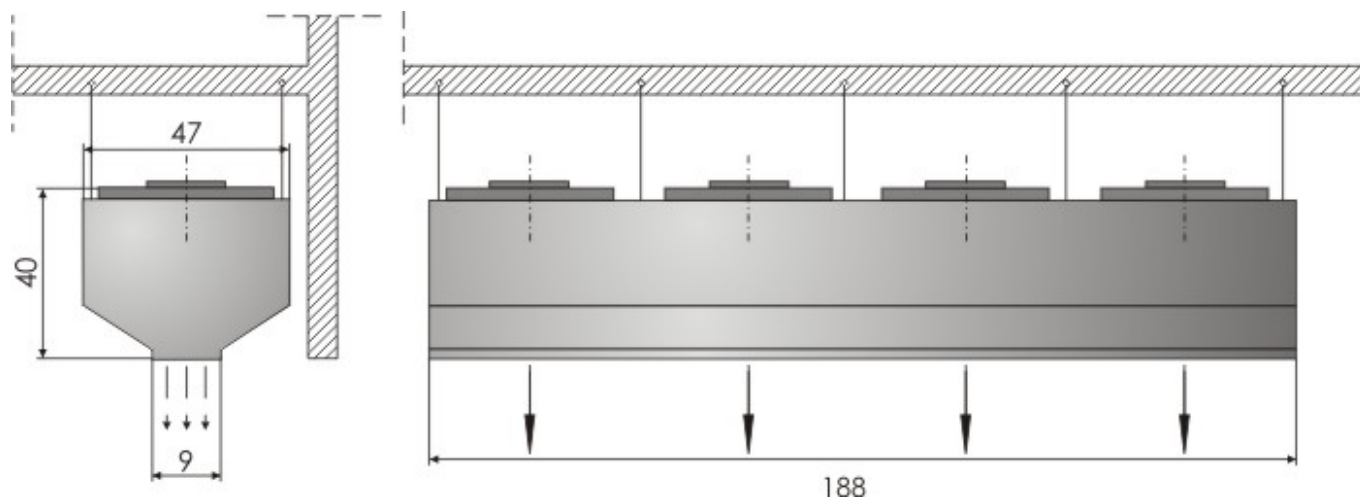
Fan Parameters		
Number of fans	4	
Voltage (V)	230	400
Motor power (kW)	0,13	0,12
Current (A)	0,59	0,29
Fan speed (rpm)	1400	1410

Thermal power and air flow of the curtain with the electric heaters	
Air flow [m <sup>3</sup> /h]	5800
Thermal power levels [kW]	12 / 18 / 24

Noise Level (dB(A))	
From distance of 3m	60
Curtain weight	
Weight [kg]	89

# KP/BB-A-01-188-Z

## DIMENSIONS

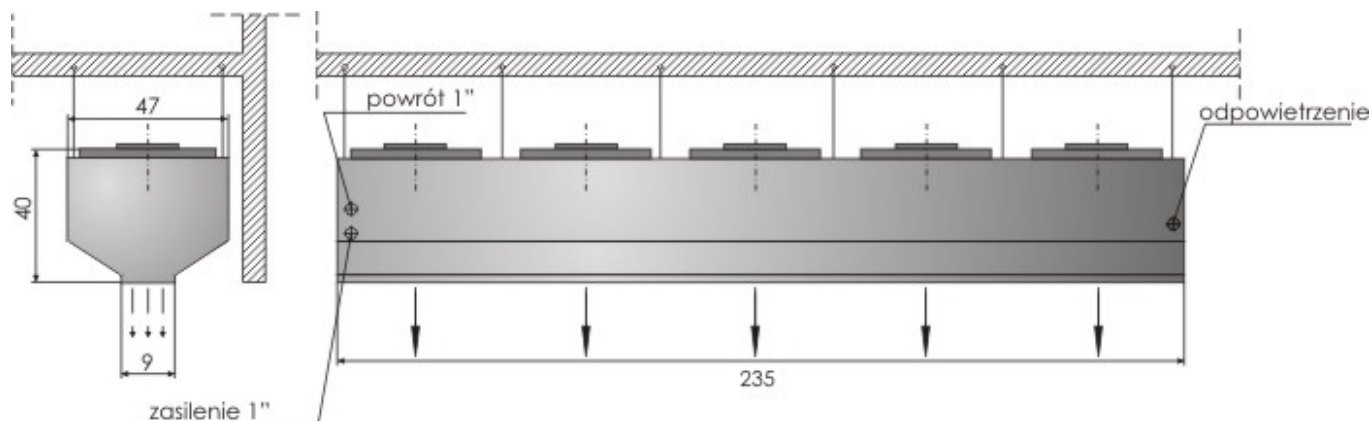


Fan Parameters		
Number of fans	4	
Voltage (V)	230	400
Motor power (kW)	0,13	0,12
Current (A)	0,59	0,29
Fan speed (rpm)	1400	1410
Airflow (m <sup>3</sup> /h)	5800	

Noise Level (dB(A))	
From distance of 3m	60
Curtain weight	
Weight [kg]	89

## KP/BB-A-01-235-W

### DIMENSIONS



Fan Parameters		
Number of fans	5	
Voltage (V)	230	400
Motor power (kW)	0,13	0,12
Current (A)	0,59	0,29
Fan speed (rpm)	1400	1410

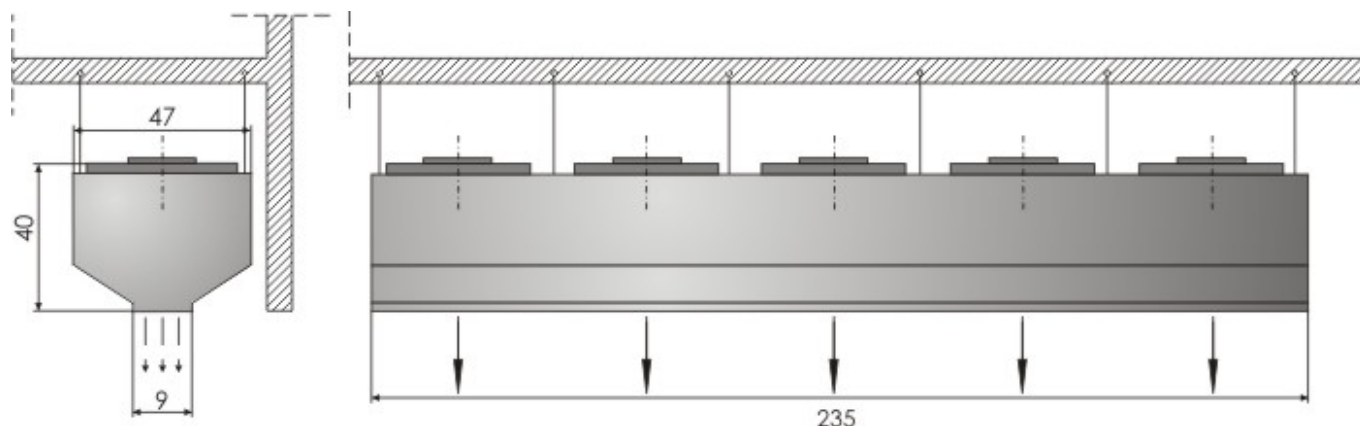
Airflow and Heating Capacity of Water-Heated Air Curtain				
Airflow (m <sup>3</sup> /h)			7250	
Heating capacity (kW), discharge air temperature (°C) and water pressure drop (kPa)				
Water temperatures (°C)	Entering air temperature (°C)	kW	°C	kPa
90/70	5	39,2	20	2,1
	10	35,3	23	1,8
	15	31,5	27	1,4
80/60	5	32,2	17	1,5
	10	28,5	20	1,2
	15	25,1	24	1,0
70/50	5	25,5	14	1,1
	10	22,2	18	0,9
	15	18,9	22	0,7

<b>60/40</b>	<b>5</b>	19,3	12	0,7
	<b>10</b>	16,1	16	0,5
	<b>15</b>	13,2	20	0,4

<b>Noise Level (dB(A))</b>	
<b>From distance of 3m</b>	60
<b>Curtain weight</b>	
<b>Weight [kg]</b>	110

## KP/BB-A-01-235-E

### DIMENSIONS



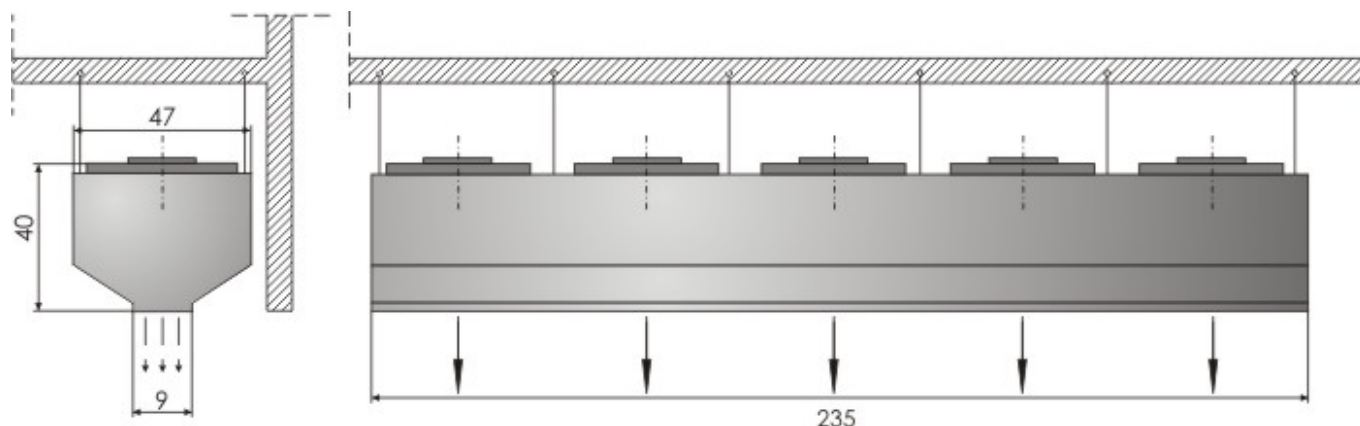
Fan Parameters		
Number of fans	5	
Voltage (V)	230	400
Motor power (kW)	0,13	0,12
Current (A)	0,59	0,29
Fan speed (rpm)	1400	1410

Thermal power and air flow of the curtain with the electric heaters	
Air flow [m <sup>3</sup> /h]	7250
Thermal power levels [kW]	12 / 24 / 30

Noise Level (dB(A))	
From distance of 3m	60
Curtain weight	
Weight [kg]	110

# KP/BB-A-01-235-Z

## DIMENSIONS

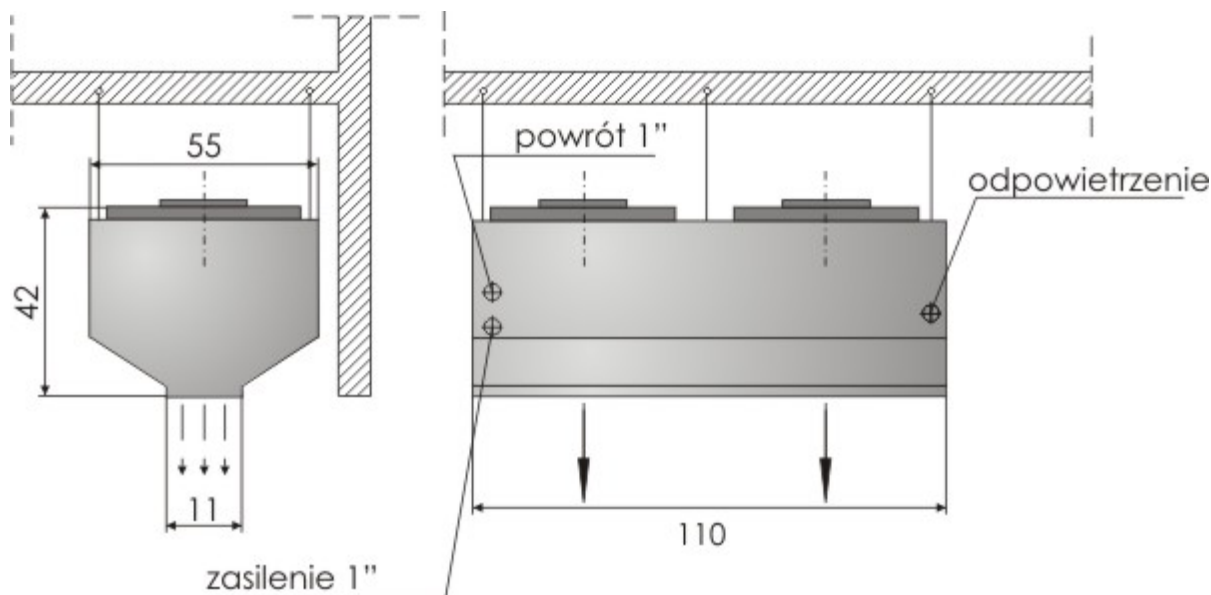


Fan Parameters		
Number of fans	5	
Voltage (V)	230	400
Motor power (kW)	0,13	0,12
Current (A)	0,59	0,29
Fan speed (rpm)	1400	1410
Airflow (m <sup>3</sup> /h)	7250	

Noise Level (dB(A))	
From distance of 3m	60
Curtain weight	
Weight [kg]	110

## KP/BB-A-02-110-W

### DIMENSIONS



Fan Parameters		
Number of fans	2	
Voltage (V)	230	400
Motor power (kW)	0,20	0,18
Current (A)	0,9	0,33
Fan speed (rpm)	1400	1350

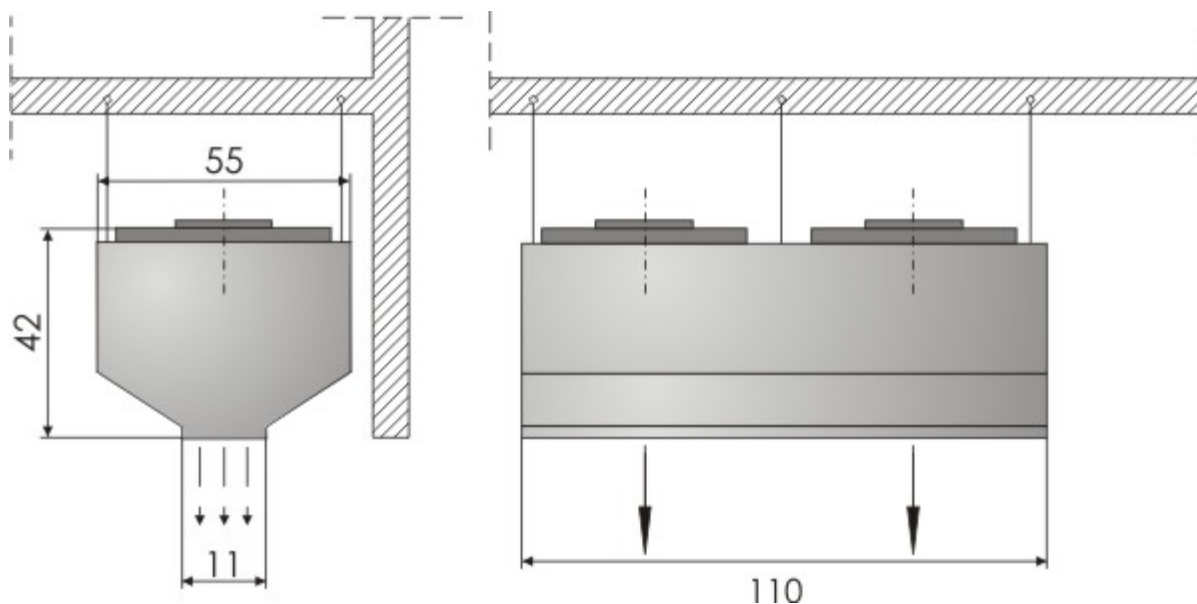
Airflow and Heating Capacity of Water-Heated Air Curtain				
Airflow (m <sup>3</sup> /h)			4000	
Heating capacity (kW), discharge air temperature (°C) and water pressure drop (kPa)				
Water temperatures (°C)	Entering air temperature (°C)	kW	°C	kPa
90/70	5	26,1	23	6,0
	10	23,5	27	4,8
	15	21,0	30	4,0
80/60	5	21,5	20	4,2
	10	19,1	23	3,3
	15	16,7	27	2,6
70/50	5	17,2	17	2,8
	10	14,8	20	2,2
	15	12,6	24	1,8

<b>60/40</b>	<b>5</b>	12,9	14	1,8
	<b>10</b>	10,8	17	1,3
	<b>15</b>	8,8	21	1,0

<b>Noise Level (dB(A))</b>	
<b>Głośność z odległości 3m</b>	62
<b>Masa kurtyny</b>	
<b>Masa [kg]</b>	59

## KP/BB-A-02-110-E

### DIMENSIONS



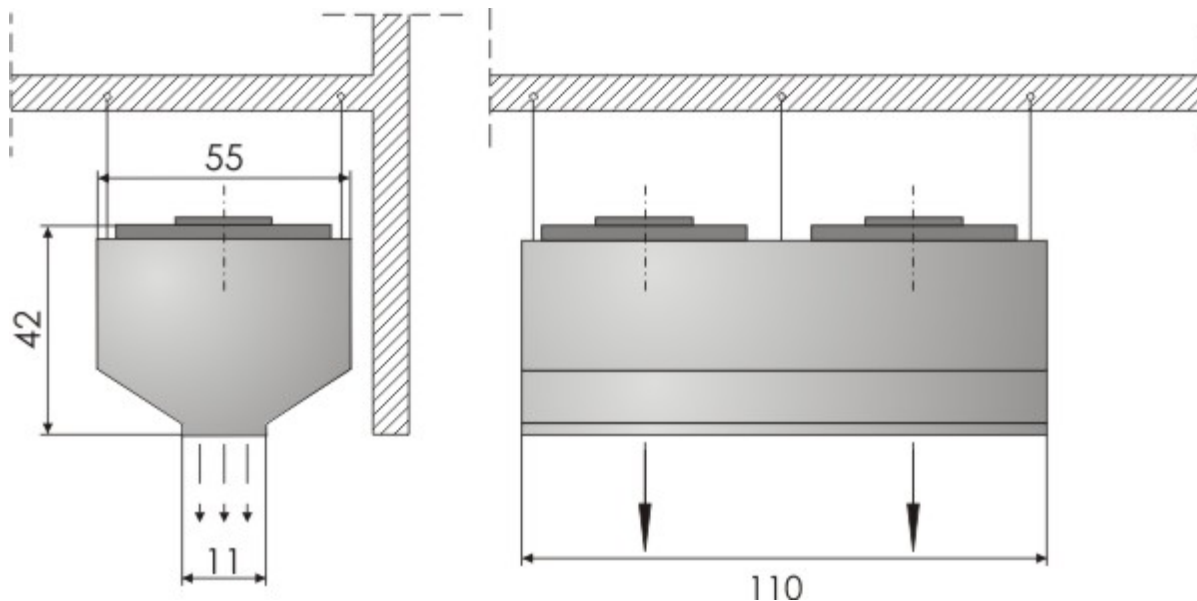
Fan Parameters		
Number of fans	2	
Voltage (V)	230	400
Motor power (kW)	0,20	0,18
Current (A)	0,9	0,33
Fan speed (rpm)	1400	1350

Thermal power and air flow of the curtain with the electric heaters	
Air flow [m <sup>3</sup> /h]	4000
Thermal power levels [kW]	6 / 12 / 18

Noise Level (dB(A))	
From distance of 3m	62
Curtain weight	
Weight [kg]	59

# KP/BB-A-02-110-Z

## DIMENSIONS

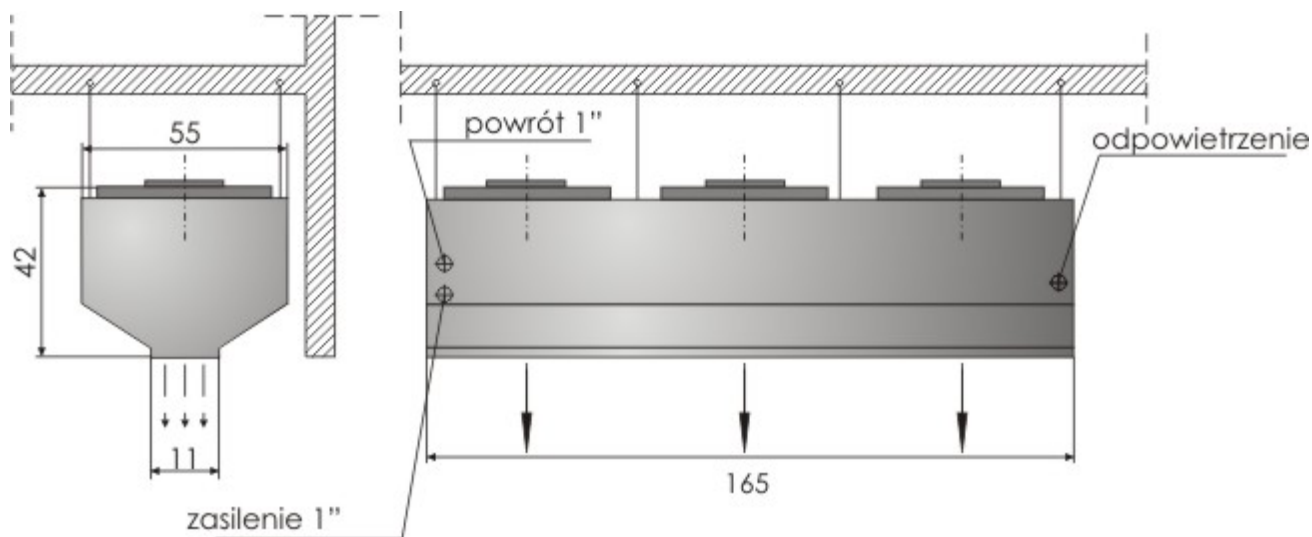


Fan Parameters		
Number of fans	2	
Voltage (V)	230	400
Motor power (kW)	0,20	0,18
Current (A)	0,9	0,33
Fan speed (rpm)	1400	1350
Airflow (m <sup>3</sup> /h)	4000	

Noise Level (dB(A))	
From distance of 3m	62
Curtain weight	
Weight [kg]	59

## KP/BB-A-02-165-W

### DIMENSIONS



Fan Parameters		
Number of fans	3	
Voltage (V)	230	400
Motor power (kW)	0,20	0,18
Current (A)	0,9	0,33
Fan speed (rpm)	1400	1350

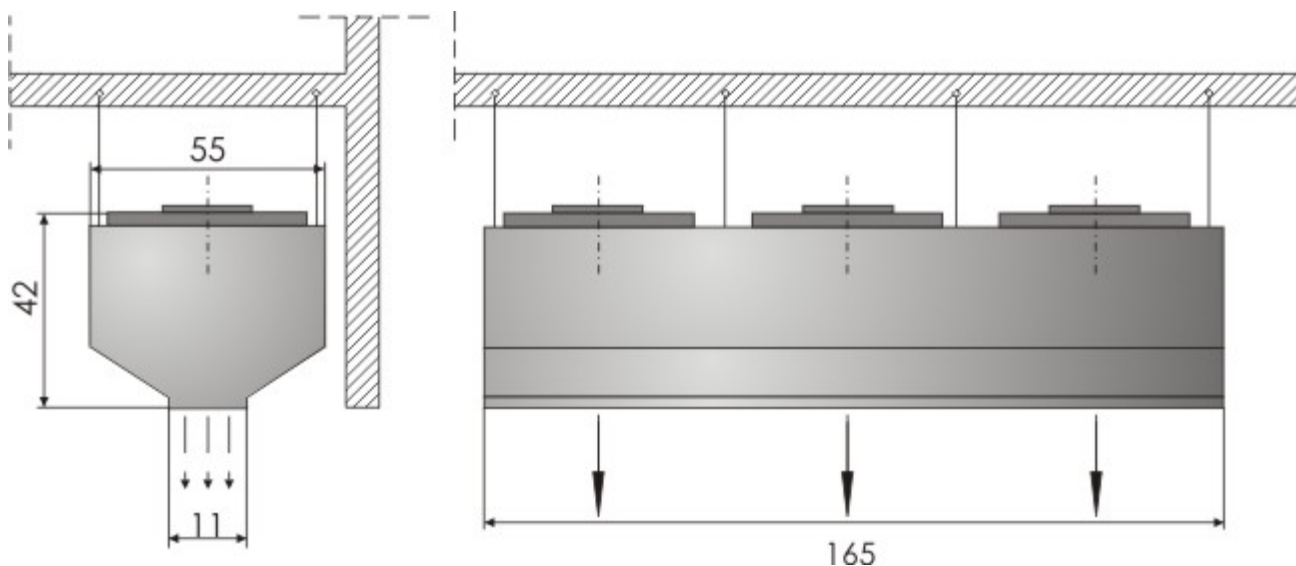
Airflow and Heating Capacity of Water-Heated Air Curtain				
Airflow (m <sup>3</sup> /h)			6000	
Heating capacity (kW), discharge air temperature (°C) and water pressure drop (kPa)				
Water temperatures (°C)	Entering air temperature (°C)	kW	°C	kPa
90/70	5	39,3	23	6,0
	10	35,4	27	4,8
	20	31,6	30	4,0
80/60	5	32,3	20	4,2
	10	28,7	23	3,3
	15	25,1	27	2,6
70/50	5	25,7	17	2,8
	10	22,3	20	2,2
	15	19,0	24	1,8

<b>60/40</b>	<b>5</b>	19,5	14	1,8
	<b>10</b>	16,3	17	1,3
	<b>15</b>	13,3	21	1,0

<b>Noise Level (dB(A))</b>	
<b>From distance of 3m</b>	61
<b>Curtain weight</b>	
<b>Weight [kg]</b>	59

## KP/BB-A-02-165-E

### DIMENSIONS



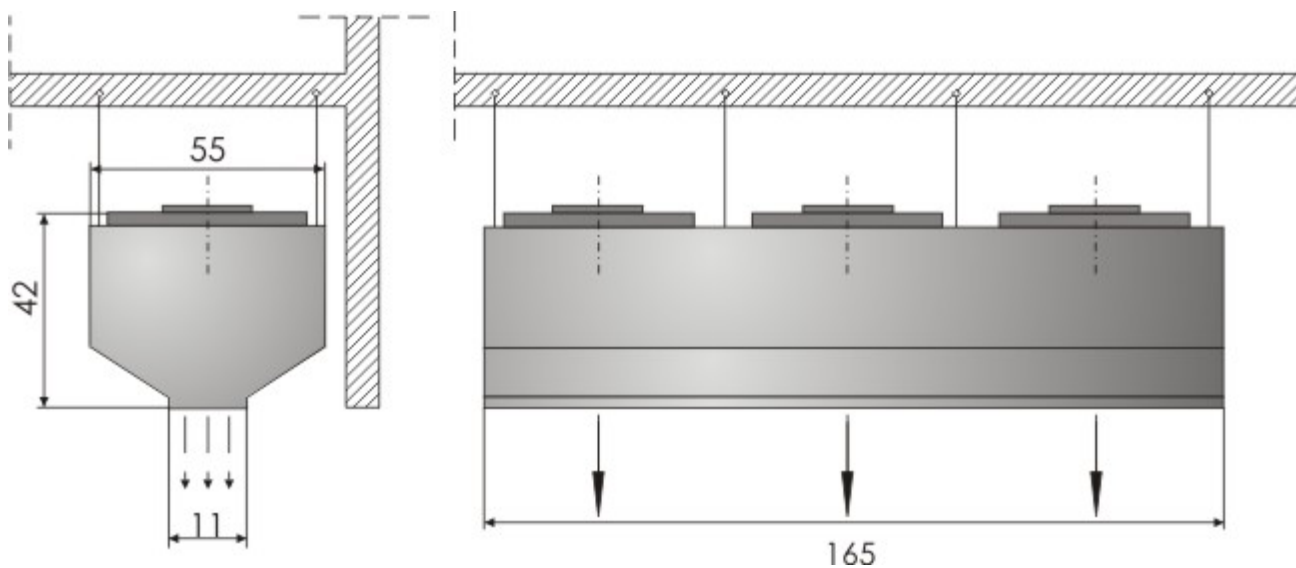
Fan Parameters		
Number of fans	3	
Voltage (V)	230	400
Motor power (kW)	0,20	0,18
Current (A)	0,9	0,33
Fan speed (rpm)	1400	1350

Thermal power and air flow of the curtain with the electric heaters	
Air flow [m <sup>3</sup> /h]	6000
Thermal power levels [kW]	9 / 18 / 27

Noise Level (dB(A))	
From distance of 3m	62
Curtain weight	
Weight [kg]	84

## KP/BB-A-02-165-Z

### DIMENSIONS

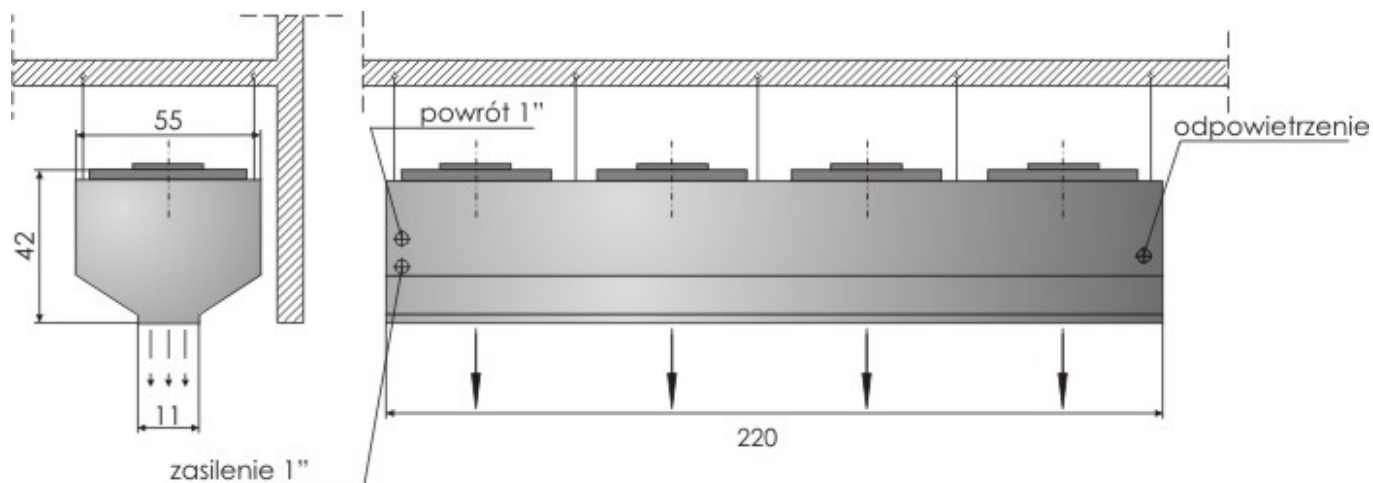


Fan Parameters		
Number of fans	3	
Voltage (V)	230	400
Motor power (kW)	0,20	0,18
Current (A)	0,9	0,33
Fan speed (rpm)	1400	1350
Airflow (m <sup>3</sup> /h)	6000	

Noise Level (dB(A))	
From distance of 3m	62
Curtain weight	
Weight [kg]	84

## KP/BB-A-02-220-W

### DIMENSIONS



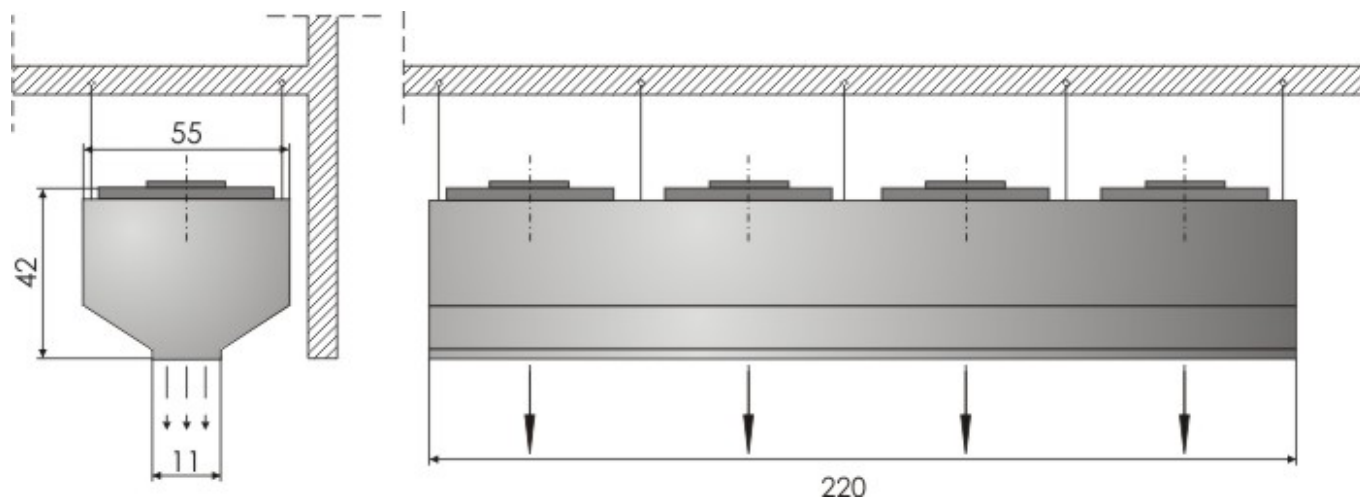
Fan Parameters		
Number of fans	4	
Voltage (V)	230	400
Motor power (kW)	0,20	0,18
Current (A)	0,9	0,33
Fan speed (rpm)	1400	1350

Airflow and Heating Capacity of Water-Heated Air Curtain				
Airflow (m <sup>3</sup> /h)			8000	
Heating capacity (kW), discharge air temperature (°C) and water pressure drop (kPa)				
Water temperatures (°C)	Entering air temperature (°C)	kW	°C	kPa
90/70	5	52,4	23	6,0
	10	47,2	27	4,8
	15	42,2	30	4,0
80/60	5	43,1	20	4,2
	10	38,3	23	3,3
	15	33,6	27	2,6
70/50	5	34,3	17	2,8
	10	29,8	20	2,2
	15	25,5	24	1,8
60/40	5	26,1	14	1,8
	10	21,8	17	1,3
	15	17,8	21	1,0

<b>Noise Level (dB(A))</b>	
<b>From distance of 3m</b>	62
<b>Curtain weight</b>	
<b>Weight [kg]</b>	111

## KP/BB-A-02-220-E

### DIMENSIONS



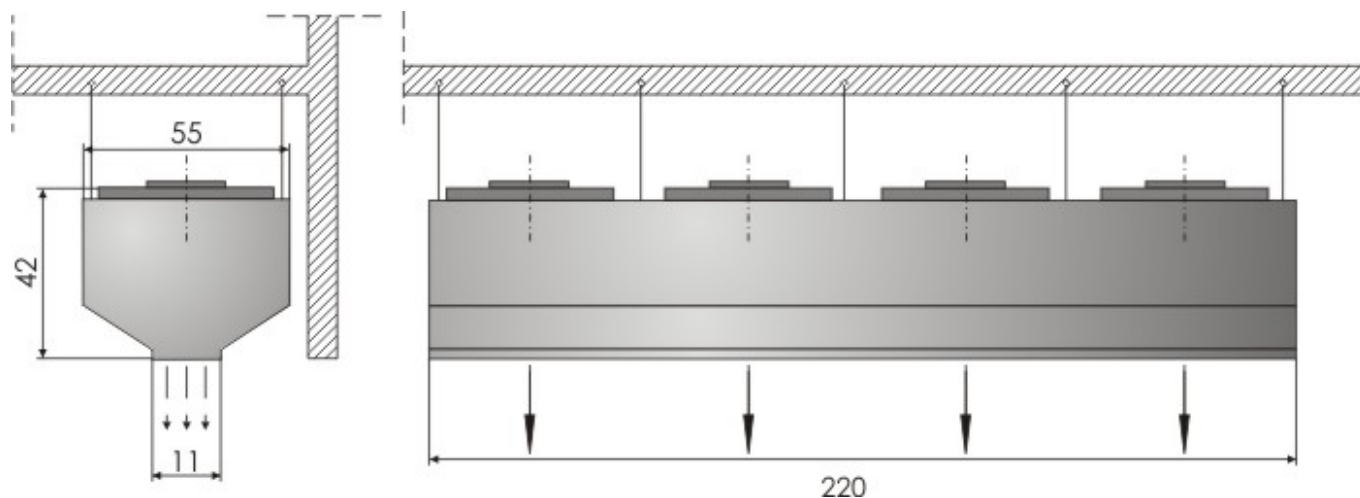
Fan Parameters		
Number of fans	4	
Voltage (V)	230	400
Motor power (kW)	0,20	0,18
Current (A)	0,9	0,33
Fan speed (rpm)	1400	1350

Thermal power and air flow of the curtain with the electric heaters	
Air flow [m <sup>3</sup> /h]	8000
Thermal power levels [kW]	12 / 24 / 36

Noise Level (dB(A))	
From distance of 3m	62
Curtain weight	
Weight [kg]	111

# KP/BB-A-02-220-Z

## DIMENSIONS

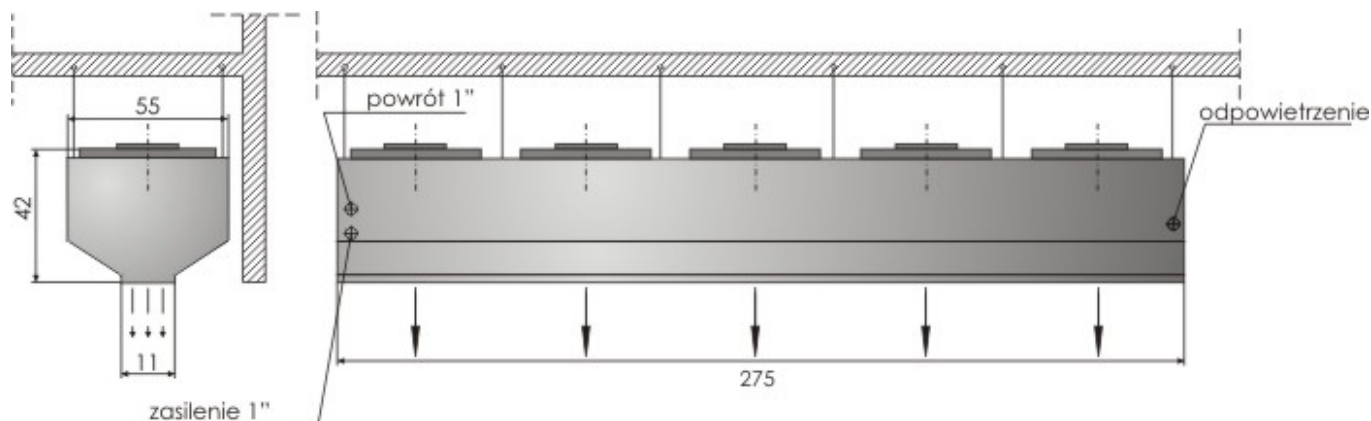


Fan Parameters		
Number of fans	4	
Voltage (V)	230	400
Motor power (kW)	0,20	0,18
Current (A)	0,9	0,33
Fan speed (rpm)	1400	1350
Airflow (m <sup>3</sup> /h)	8000	

Noise Level (dB(A))	
From distance of 3m	62
Curtain weight	
Weight [kg]	111

## KP/BB-A-02-275-W

### DIMENSIONS



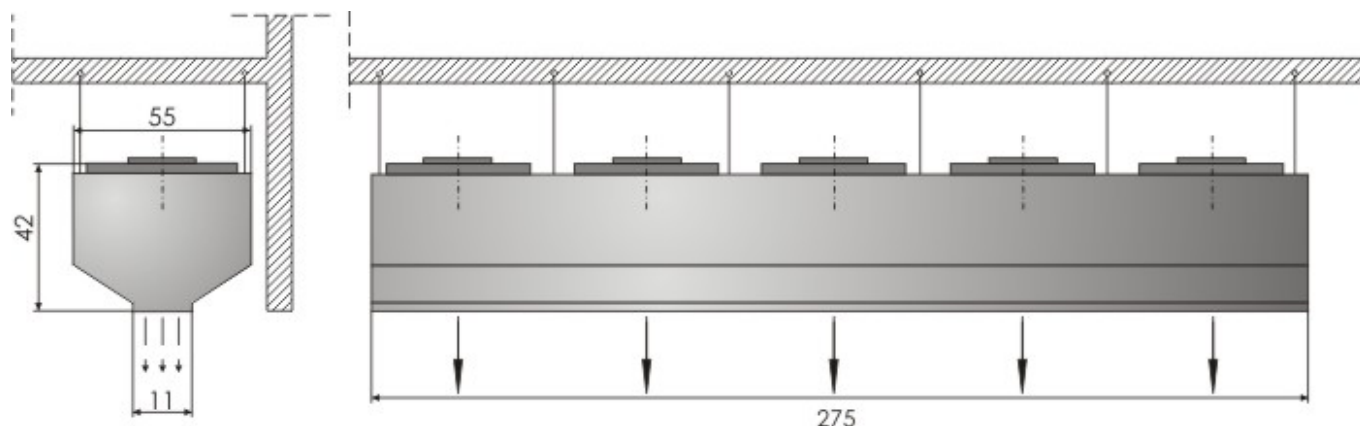
Fan Parameters		
Number of fans	5	
Voltage (V)	230	400
Motor power (kW)	0,20	0,18
Current (A)	0,9	0,33
Fan speed (rpm)	1400	1350

Airflow and Heating Capacity of Water-Heated Air Curtain				
Airflow (m <sup>3</sup> /h)				10000
Heating capacity (kW), discharge air temperature (°C) and water pressure drop (kPa)				
Water temperatures (°C)	Entering air temperature (°C)	kW	°C	kPa
90/70	5	65,5	23	6,0
	10	59,1	27	4,8
	15	52,8	30	4,0
80/60	5	53,9	20	4,2
	10	47,9	23	3,3
	15	42,0	27	2,6
70/50	5	42,9	17	2,8
	10	37,3	20	2,2
	15	31,8	24	1,8
60/40	5	32,5	14	1,8
	10	27,3	17	1,3
	15	22,3	21	1,0

<b>Noise Level (dB(A))</b>	
<b>From distance of 3m</b>	62
<b>Curtain weight</b>	
<b>Weight [kg]</b>	137

## KP/BB-A-02-275-E

### DIMENSIONS



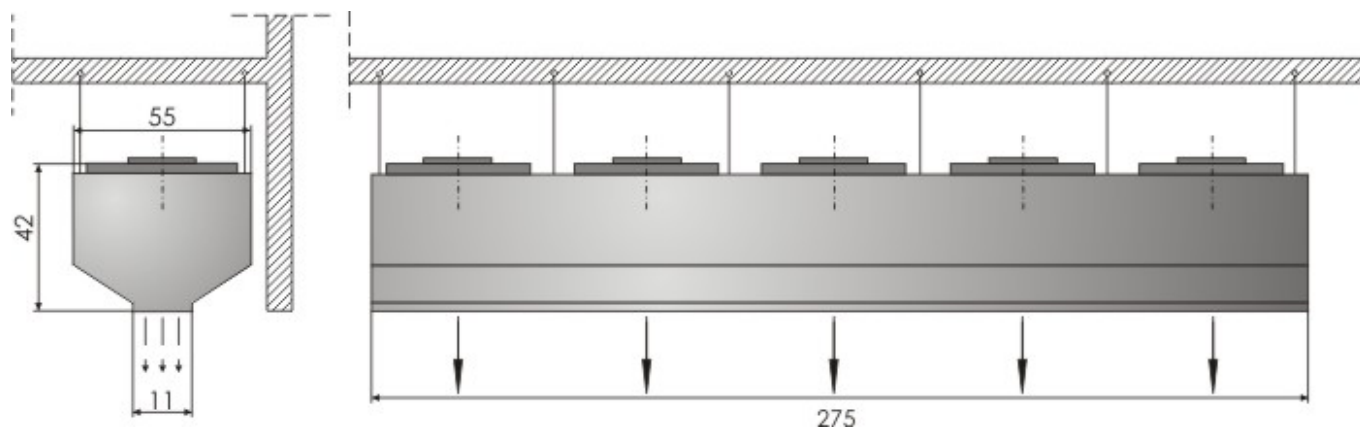
Fan Parameters		
Number of fans	5	
Voltage (V)	230	400
Motor power (kW)	0,20	0,18
Current (A)	0,9	0,33
Fan speed (rpm)	1400	1350

Thermal power and air flow of the curtain with the electric heaters	
Air flow [m <sup>3</sup> /h]	10000
Thermal power levels [kW]	15 / 30 / 49

Noise Level (dB(A))	
From distance of 3m	62
Curtain weight	
Weight [kg]	137

## KP/BB-A-02-275-Z

### DIMENSIONS

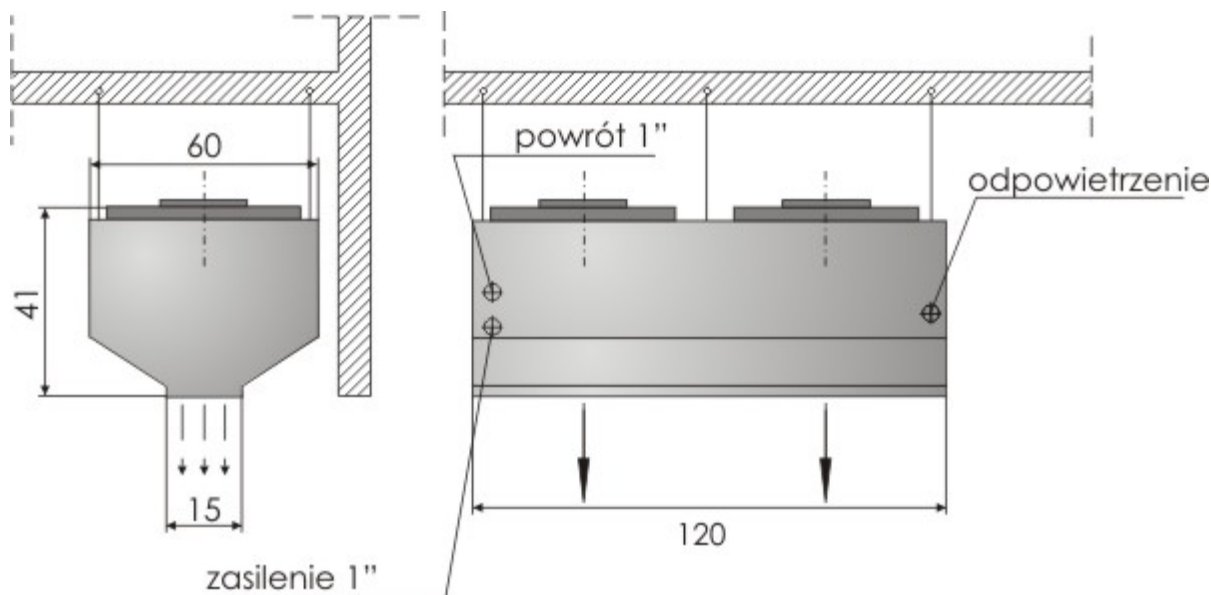


Fan Parameters		
Number of fans	5	
Voltage (V)	230	400
Motor power (kW)	0,20	0,18
Current (A)	0,9	0,33
Fan speed (rpm)	1400	1350
Airflow (m <sup>3</sup> /h)	10000	

Noise Level (dB(A))	
From distance of 3m	62
Curtain weight	
Weight [kg]	137

## KP/BB-A-1-120-W

### DIMENSIONS



Fan Parameters		
Number of fans	2	
Voltage (V)	230	400
Motor power (kW)	0,31	0,28
Current (A)	1,35	0,47
Fan speed (rpm)	1320	1250

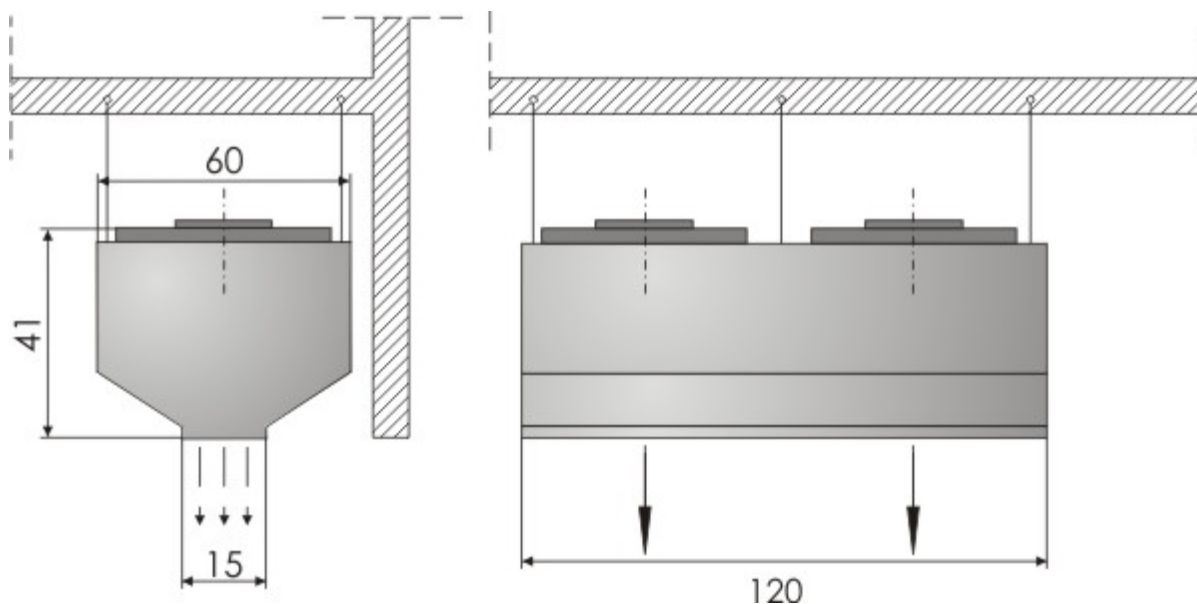
Airflow and Heating Capacity of Water-Heated Air Curtain				
Airflow (m <sup>3</sup> /h)			6500	
Heating capacity (kW), discharge air temperature (°C) and water pressure drop (kPa)				
Water temperatures (°C)	Entering air temperature (°C)	kW	°C	kPa
90/70	5	31,5	18	1,0
	10	28,2	22	0,9
	15	25,5	25	0,8
80/60	5	25,5	16	0,8
	10	22,8	20	0,7
	15	20,2	24	0,6
70/50	5	20,3	14	0,6
	10	17,7	17	0,4
	15	15,3	21	0,3

<b>60/40</b>	<b>5</b>	15,3	11	0,2
	<b>10</b>	12,9	15	0,1
	<b>15</b>	10,7	19	0,1

<b>Noise Level (dB(A))</b>	
<b>From distance of 5m</b>	60
<b>Curtain weight</b>	
<b>Weight [kg]</b>	102

# KP/BB-A-1-120-Z

## DIMENSIONS

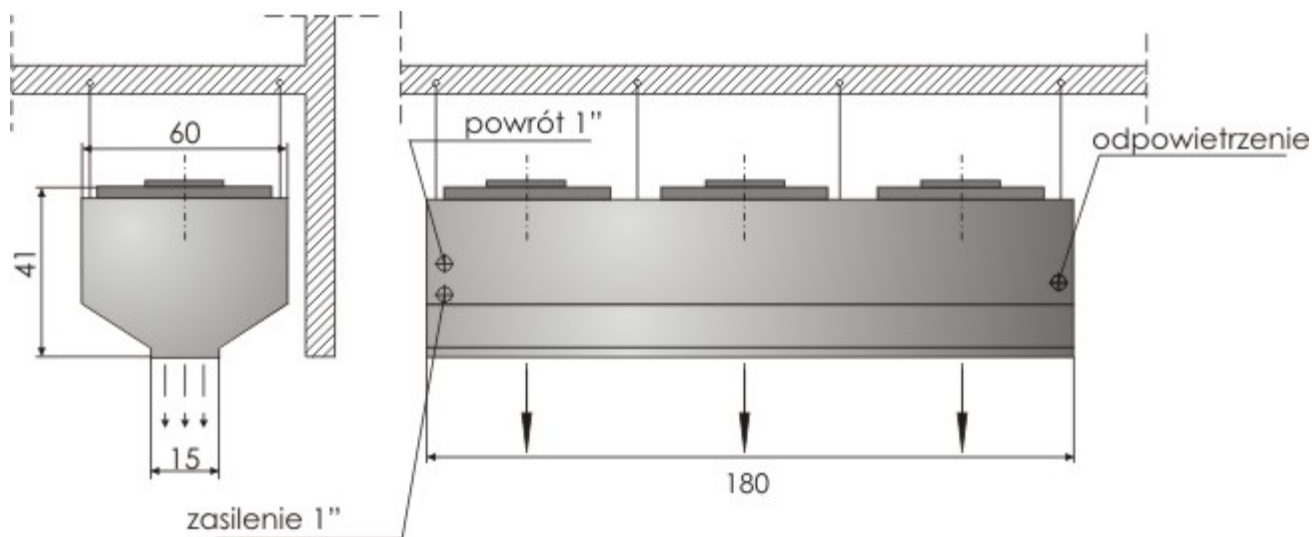


Fan Parameters		
Number of fans	2	
Voltage (V)	230	400
Motor power (kW)	0,31	0,28
Current (A)	1,35	0,47
Fan speed (rpm)	1320	1250
Airflow (m <sup>3</sup> /h)	6500	

Noise Level (dB(A))	
From distance of 5m	60
Curtain weight	
Weight [kg]	102

## KP/BB-A-1-180-W

### DIMENSIONS



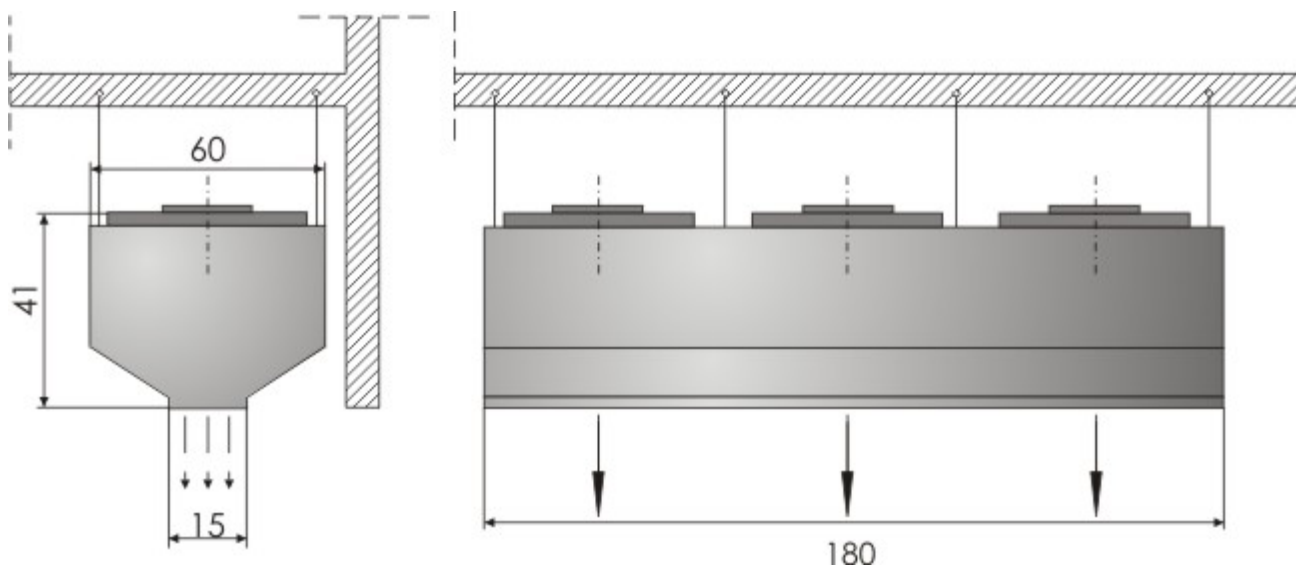
Fan Parameters		
Number of fans	3	
Voltage (V)	230	400
Motor power (kW)	0,31	0,28
Current (A)	1,35	0,47
Fan speed (rpm)	1320	1250

Airflow and Heating Capacity of Water-Heated Air Curtain				
Air flow [m <sup>3</sup> /h]			9750	
Heating capacity (kW), discharge air temperature (°C) and water pressure drop (kPa)				
Water temperatures (°C)	Entering air temperature (°C)	kW	°C	kPa
90/70	5	56,0	21	3,0
	10	51,0	22	2,6
	15	46,2	28	2,2
80/60	5	46,4	18	2,2
	10	41,5	22	1,8
	15	36,7	26	1,4
70/50	5	36,9	15	1,5
	10	32,3	19	1,2
	15	27,8	23	1,0
60/40	5	27,9	13	1,0
	10	23,6	17	0,8
	15	19,5	20	0,6

<b>Noise Level (dB(A))</b>	
<b>From distance of 5m</b>	60
<b>Curtain weight</b>	
<b>Weight [kg]</b>	102

# KP/BB-A-1-180-Z

## DIMENSIONS

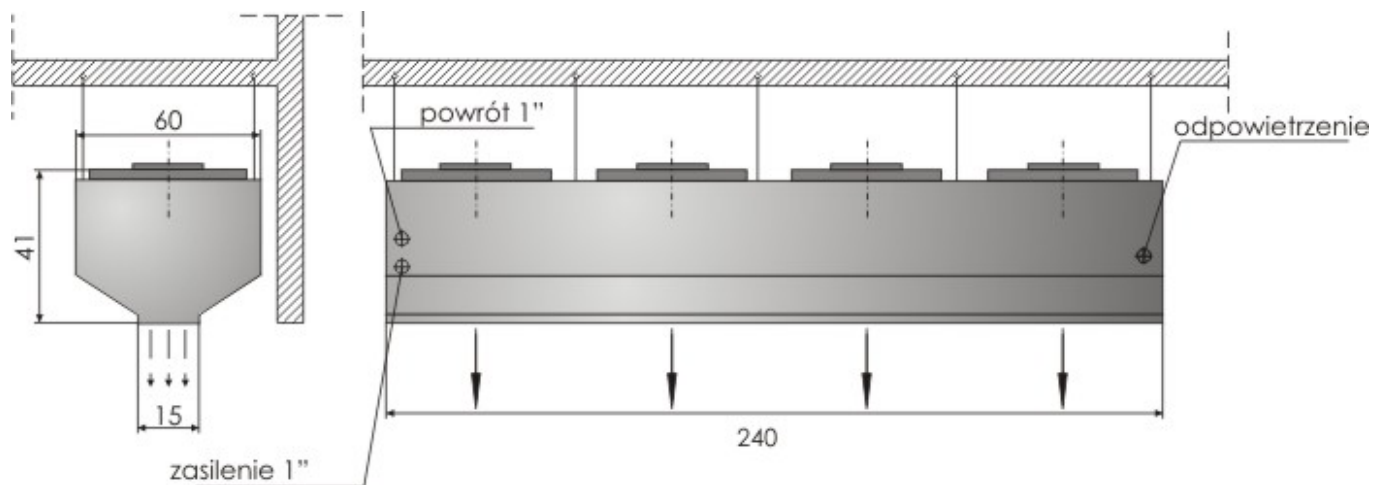


Fan Parameters		
Number of fans	3	
Voltage (V)	230	400
Motor power (kW)	0,31	0,28
Current (A)	1,35	0,47
Fan speed (rpm)	1320	1250
Airflow (m <sup>3</sup> /h)	9750	

Noise Level (dB(A))	
From distance of 5m	62
Curtain weight	
Weight [kg]	102

## KP/BB-A-1-240-W

### DIMENSIONS



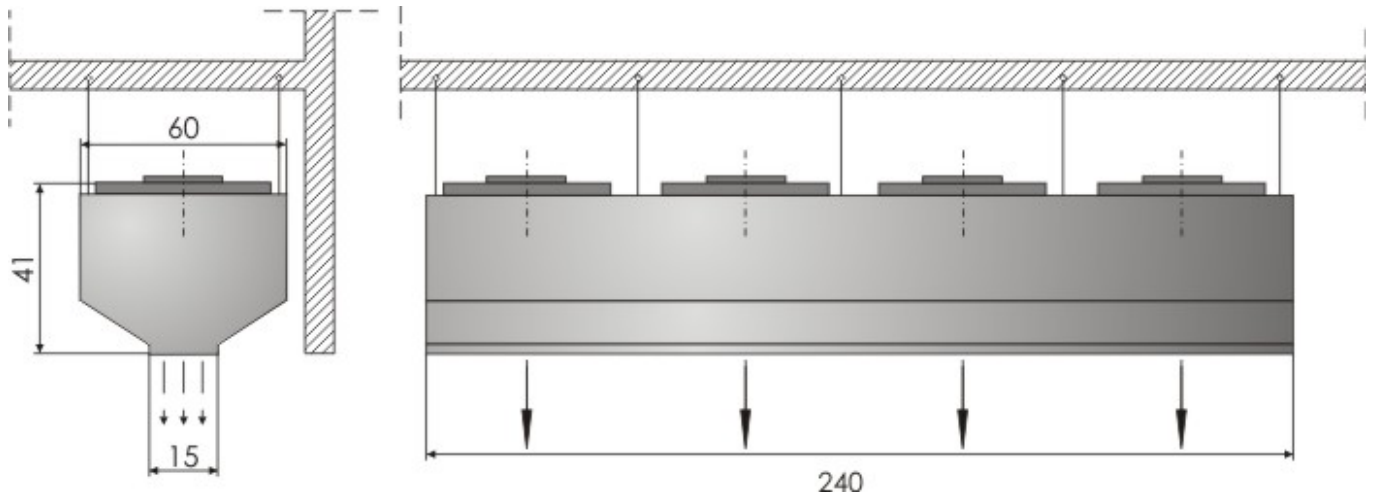
Fan Parameters		
Number of fans	4	
Voltage (V)	230	400
Motor power (kW)]	0,31	0,28
Current (A)	1,35	0,47
Fan speed (rpm)	1320	1250

Airflow and Heating Capacity of Water-Heated Air Curtain				
Airflow (m <sup>3</sup> /h)				13000
Heating capacity (kW), discharge air temperature (°C) and water pressure drop (kPa)				
Water temperatures (°C)	Entering air temperature (°C)	kW	°C	kPa
90/70	5	84,8	23	7,5
	10	77,1	27	6,8
	15	69,5	30	6,0
80/60	5	69,9	20	6,0
	10	62,6	23	4,4
	15	55,4	27	3,5
70/50	5	55,7	17	3,5
	10	48,7	20	3,0
	15	42,0	24	2,3
60/40	5	42,3	14	2,3
	10	35,8	18	1,8
	15	29,2	21	1,4

<b>Noise Level (dB(A))</b>	
<b>From distance of 5m</b>	60
<b>Curtain weight</b>	
<b>Weight [kg]</b>	132

# KP/BB-A-1-240-Z

## DIMENSIONS

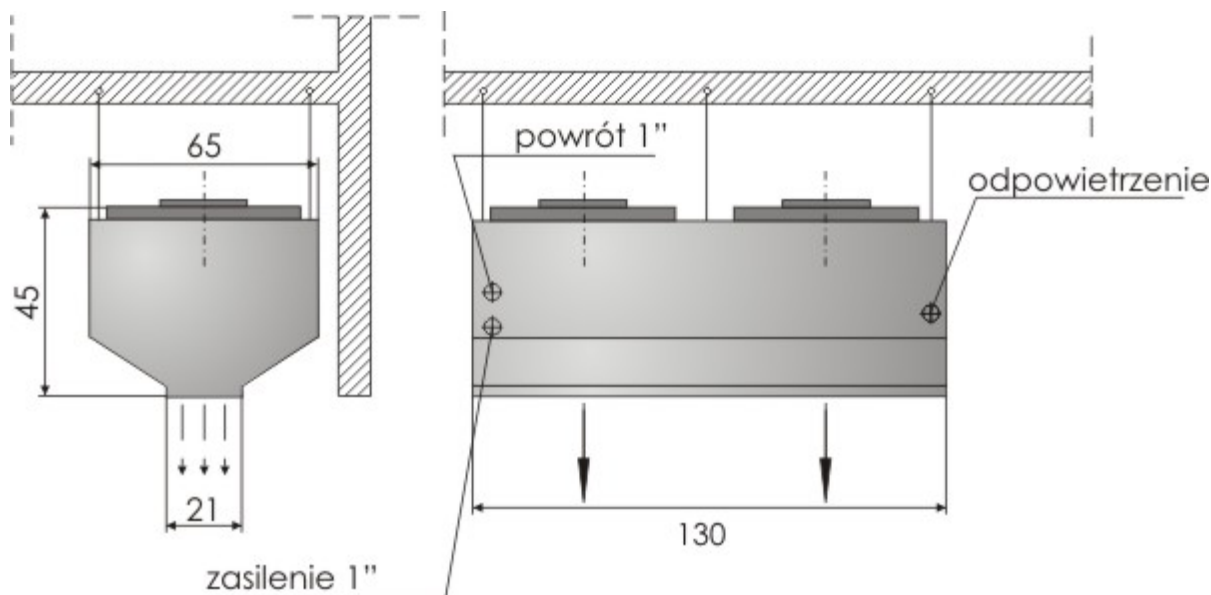


Fan Parameters		
Number of fans	4	
Voltage (V)	230	400
Motor power (kW)	0,31	0,28
Current (A)	1,35	0,47
Fan speed (rpm)	1320	1250
Airflow (m <sup>3</sup> /h)	13000	

Noise Level (dB(A))	
From distance of 5m	60
Curtain weight	
Weight [kg]	132

## KP/BB-A-2-130-W

### DIMENSIONS



Fan Parameters		
Number of fans	2	
Voltage (V)	230	400
Motor power (kW)	0,61	0,54
Current (A)	2,8	1,05
Fan speed (rpm)	1310	1360

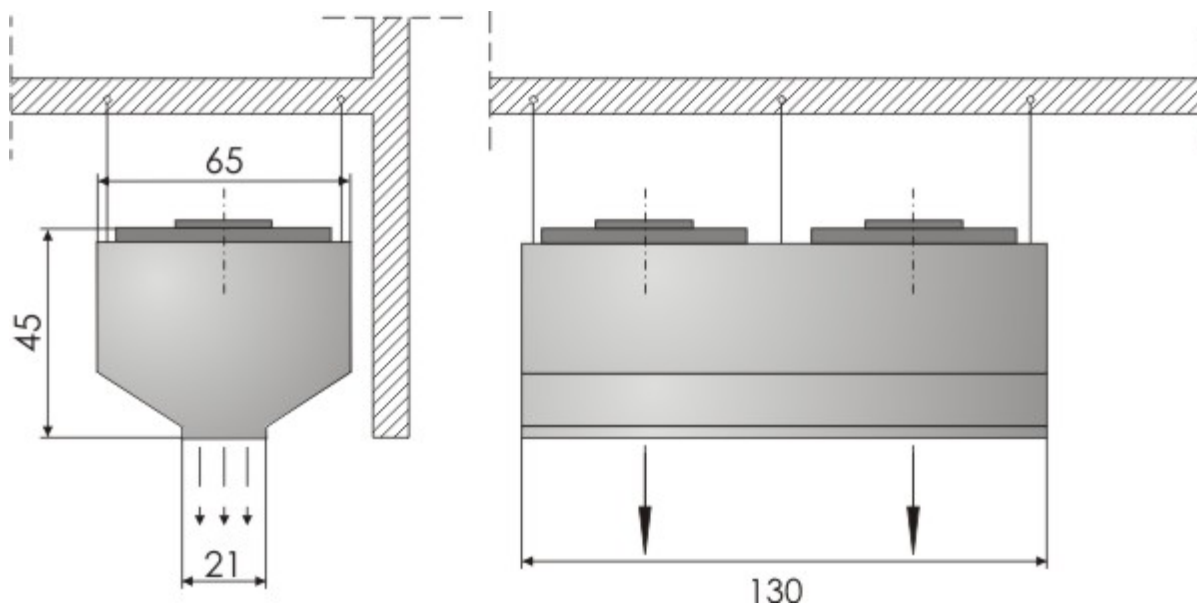
Airflow and Heating Capacity of Water-Heated Air Curtain				
Airflow (m <sup>3</sup> /h)		11000		
Heating capacity (kW), discharge air temperature (°C) and water pressure drop (kPa)				
Water temperatures (°C)	Entering air temperature (°C)	kW	°C	kPa
90/70	5	49,0	17	1,2
	10	45,2	21	1,1
	15	40,6	25	1,0
80/60	5	40,8	15	1,0
	10	36,5	19	0,9
	15	32,3	23	0,8
70/50	5	32,4	13	0,8
	10	28,3	17	0,7
	15	24,3	21	0,6

<b>60/40</b>	<b>5</b>	24,5	11	0,6
	<b>10</b>	20,6	15	0,5
	<b>15</b>	17,0	19	0,4

<b>Noise Level (dB(A))</b>	
<b>From distance of 5m</b>	66
<b>Curtain weight</b>	
<b>Weight [kg]</b>	88

# KP/BB-A-2-130-Z

## DIMENSIONS

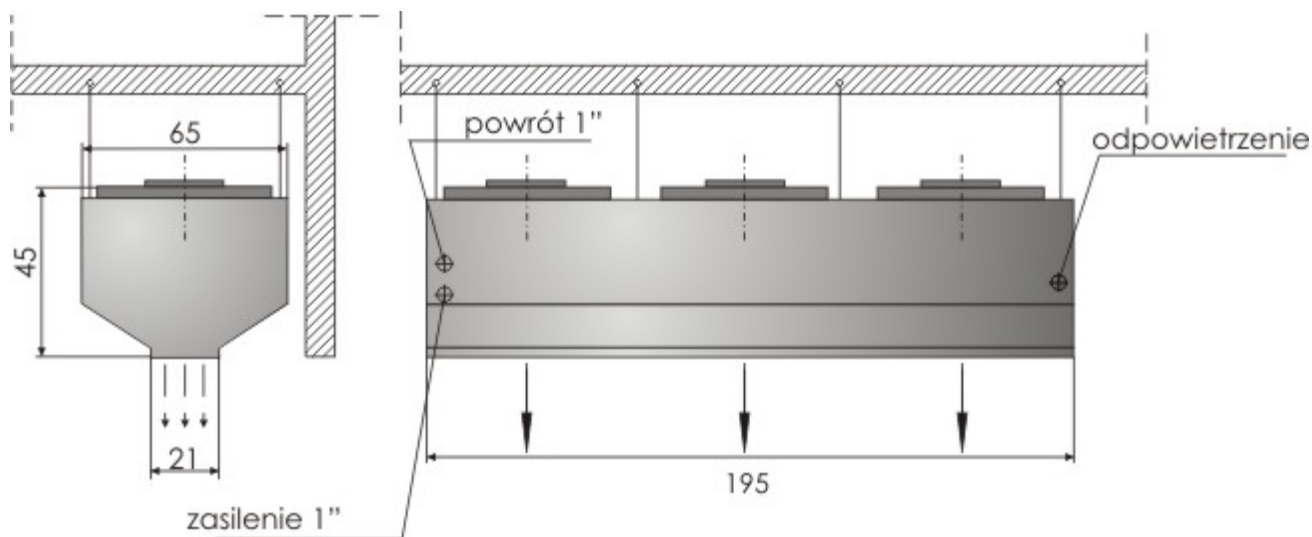


Fan Parameters		
Number of fans	2	
Voltage (V)	230	400
Motor power (kW)	0,61	0,54
Current [A]	2,8	1,05
Fan speed (rpm)	1310	1360
Airflow (m <sup>3</sup> /h)	11000	

Noise Level (dB(A))	
From distance of 5m	66
Curtain weight	
Weight [kg]	88

## KP/BB-A-2-195-W

### DIMENSIONS



Fan Parameters		
Number of fans	3	
Voltage (V)	230	400
Motor power (kW)	0,61	0,54
Current (A)	2,8	1,05
Fan speed (rpm)	1310	1360

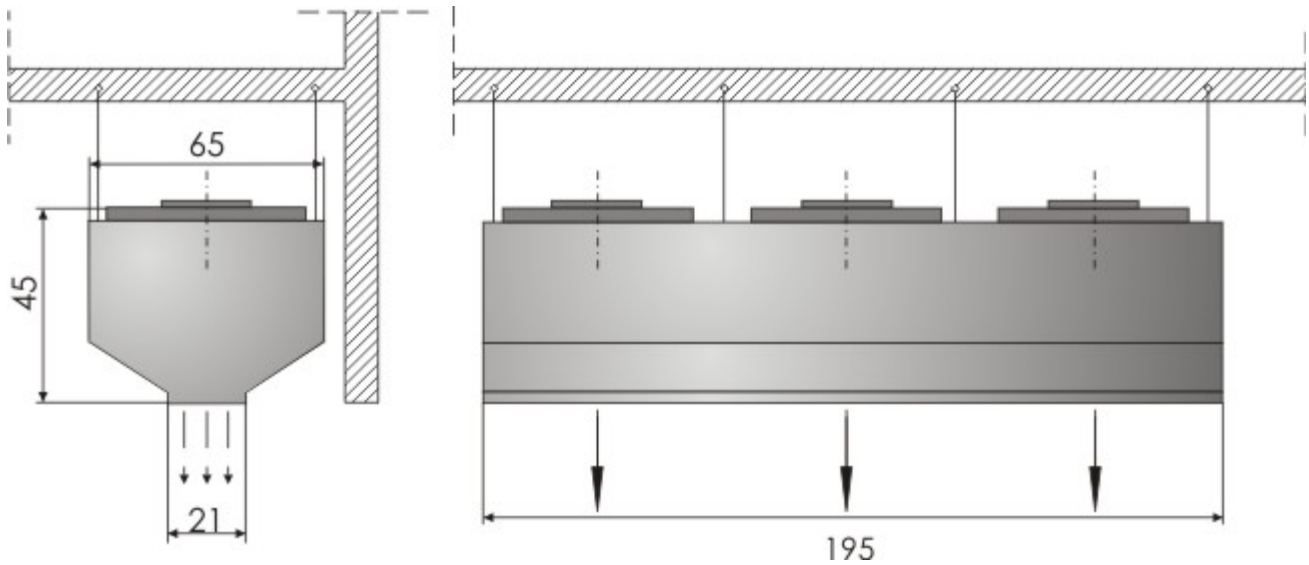
Airflow and Heating Capacity of Water-Heated Air Curtain				
Airflow (m <sup>3</sup> /h)				16500
Heating capacity (kW), discharge air temperature (°C) and water pressure drop (kPa)				
Water temperatures (°C)	Entering air temperature (°C)	kW	°C	kPa
90/70	5	89,6	20	5,0
	10	81,4	24	4,3
	15	73,3	28	3,2
80/60	5	73,7	17	3,2
	10	65,9	21	2,7
	15	58,2	25	2,4
70/50	5	58,5	15	2,4
	10	51,2	18	1,9
	15	44,1	22	1,5

<b>60/40</b>	<b>5</b>	44,3	12	1,5
	<b>10</b>	37,5	16	1,2
	<b>15</b>	30,9	20	0,9

<b>Noise Level (dB(A))</b>	
<b>From distance of 5m</b>	66
<b>Curtain weight</b>	
<b>Weight [kg]</b>	129

## KP/BB-A-2-195-Z

### DIMENSIONS

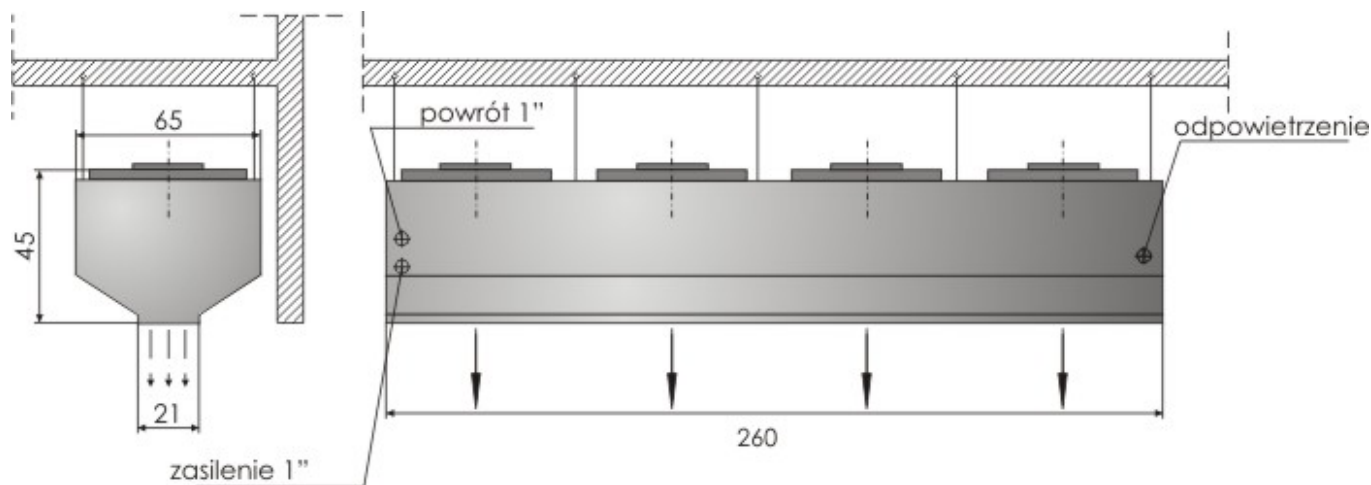


Fan Parameters		
Number of fans	3	
Voltage (V)	230	400
Motor power (kW)	0,61	0,54
Current (A)	2,8	1,05
Fan speed (rpm)	1310	1360
Airflow (m <sup>3</sup> /h)	16500	

Noise Level (dB(A))	
From distance of 5m	66
Curtain weight	
Weight [kg]	129

# KP/BB-A-2-260-W

## DIMENSIONS



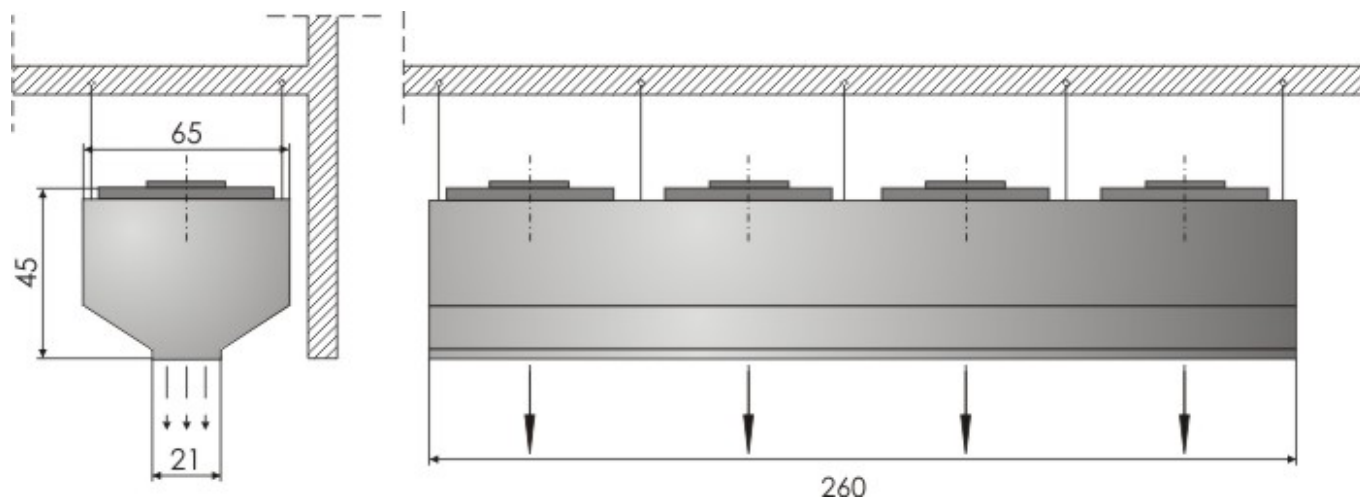
Fan Parameters		
Number of fans	4	
Voltage (V)	230	400
Motor power (kW)	0,61	0,54
Current (A)	2,8	1,05
Fan speed (rpm)	1310	1360

Airflow and Heating Capacity of Water-Heated Air Curtain				
Airflow (m <sup>3</sup> /h)			22000	
Heating capacity (kW), discharge air temperature (°C) and water pressure drop (kPa)				
Water temperatures (°C)	Entering air temperature (°C)	kW	°C	kPa
90/70	5	125,8	21	11,5
	10	114,2	24	9,3
	15	103,0	28	8,0
80/60	5	103,0	18	8,0
	10	92,6	22	7,6
	15	81,8	25	5,5
70/50	5	82,3	15	5,5
	10	72,0	19	4,5
	15	62,1	23	3,8
60/40	5	62,4	13	3,9
	10	52,7	16	2,6
	15	43,5	20	2,0

<b>Noise Level (dB(A))</b>	
<b>From distance of 5m</b>	66
<b>Curtain weight</b>	
<b>Weight [kg]</b>	168

# KP/BB-A-2-260-Z

## DIMENSIONS

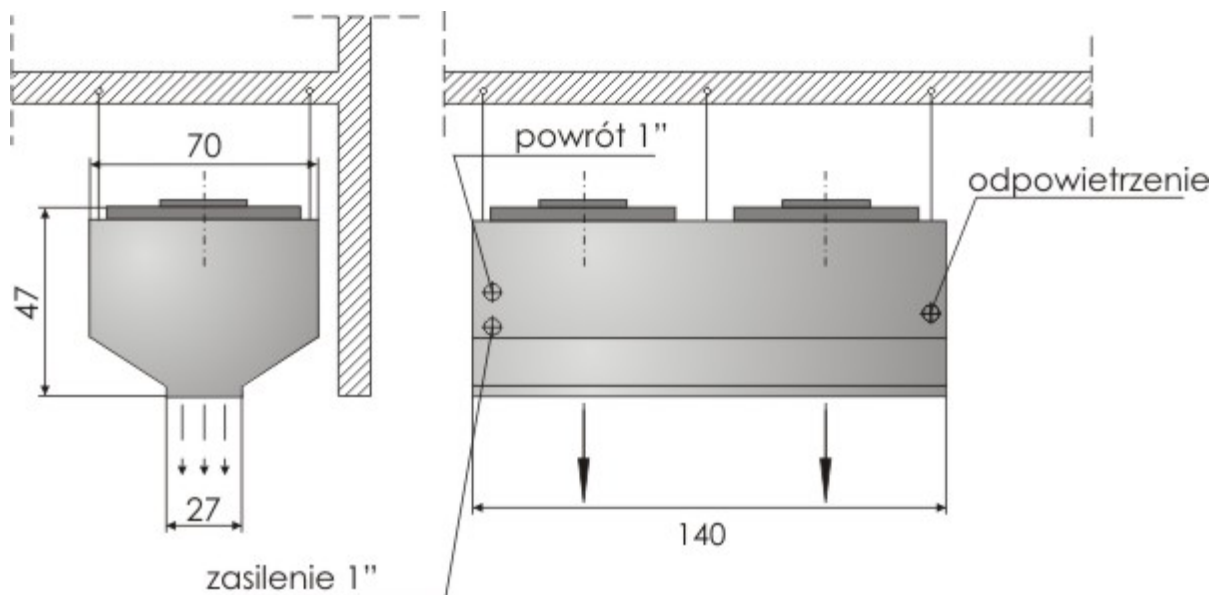


Fan Parameters		
Number of fans	4	
Voltage (V)	230	400
Motor power (kW)	0,61	0,54
Current (A)	2,8	1,05
Fan speed (rpm)	1310	1360
Airflow (m <sup>3</sup> /h)	22000	

Noise Level (dB(A))	
From distance of 5m	66
Curtain weight	
Weight [kg]	168

## KP/BB-A-3-140-W

### DIMENSIONS



Fan Parameters		
Number of fans	2	
Voltage (V)	230	400
Motor power (kW)	0,78	0,79
Current (A)	3,4	1,45
Fan speed (rpm)	1310	1330

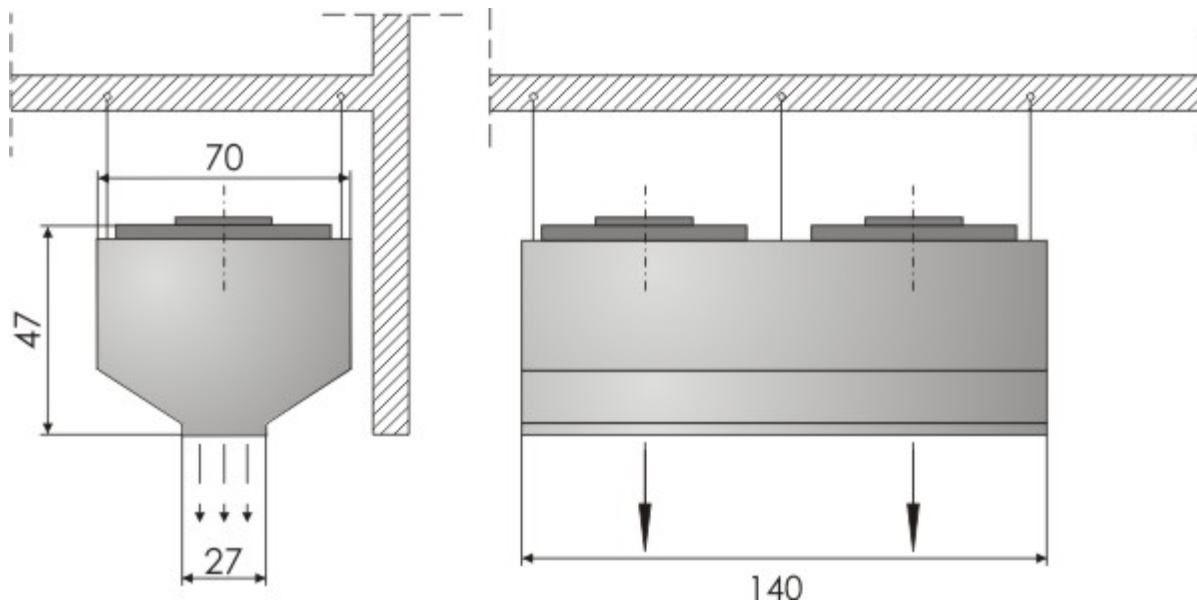
Airflow and Heating Capacity of Water-Heated Air Curtain				
Airflow (m <sup>3</sup> /h)				15600
Heating capacity (kW), discharge air temperature (°C) and water pressure drop (kPa)				
Water temperatures (°C)	Entering air temperature (°C)	kW	°C	kPa
90/70	5	64,2	16	2,2
	10	58,2	20	1,8
	15	52,4	24	1,5
80/60	5	52,6	14	1,5
	10	47,1	18	1,3
	15	41,6	22	1,0
70/50	5	41,7	12	1,0
	10	36,4	16	0,9
	15	31,4	20	0,8

<b>60/40</b>	<b>5</b>	31,5	10	0,8
	<b>10</b>	26,6	14	0,6
	<b>15</b>	21,9	19	0,5

<b>Noise Level (dB(A))</b>	
<b>From distance of 5m</b>	67
<b>Curtain weight</b>	
<b>Weight [kg]</b>	105

# KP/BB-A-3-140-Z

## DIMENSIONS

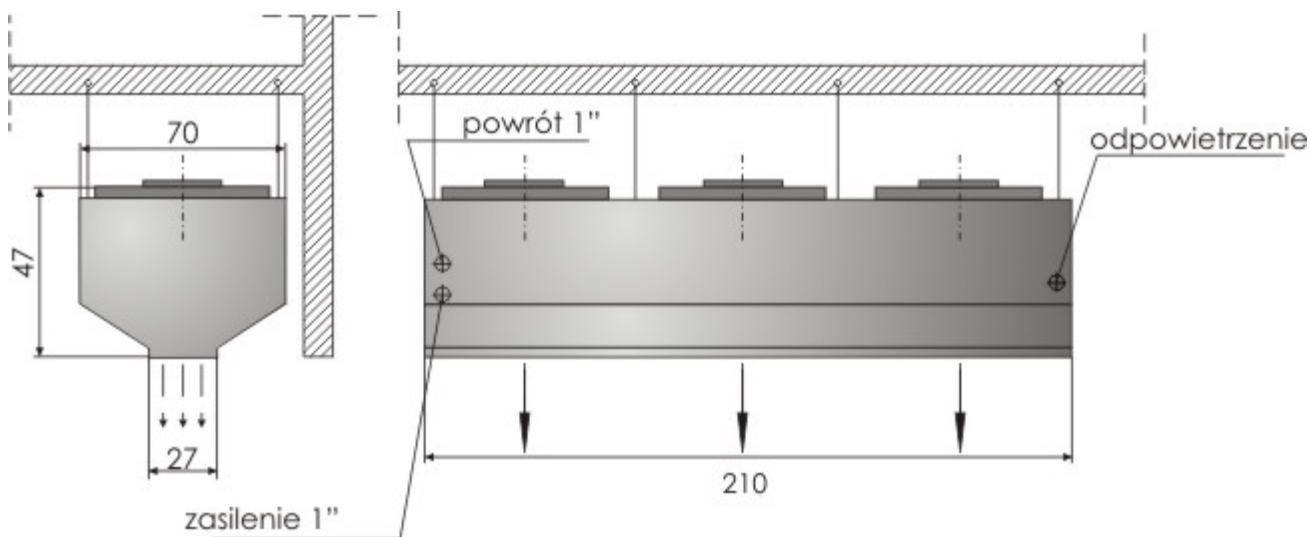


Fan Parameters		
Number of fans	2	
Voltage (V)	230	400
Motor power (kW)	0,78	0,79
Current (A)	3,4	1,45
Fan speed (rpm)	1310	1330
Airflow (m <sup>3</sup> /h)	15600	

Noise Level (dB(A))	
From distance of 5m	67
Curtain weight	
Weight [kg]	105

# KP/BB-A-3-210-W

## DIMENSIONS



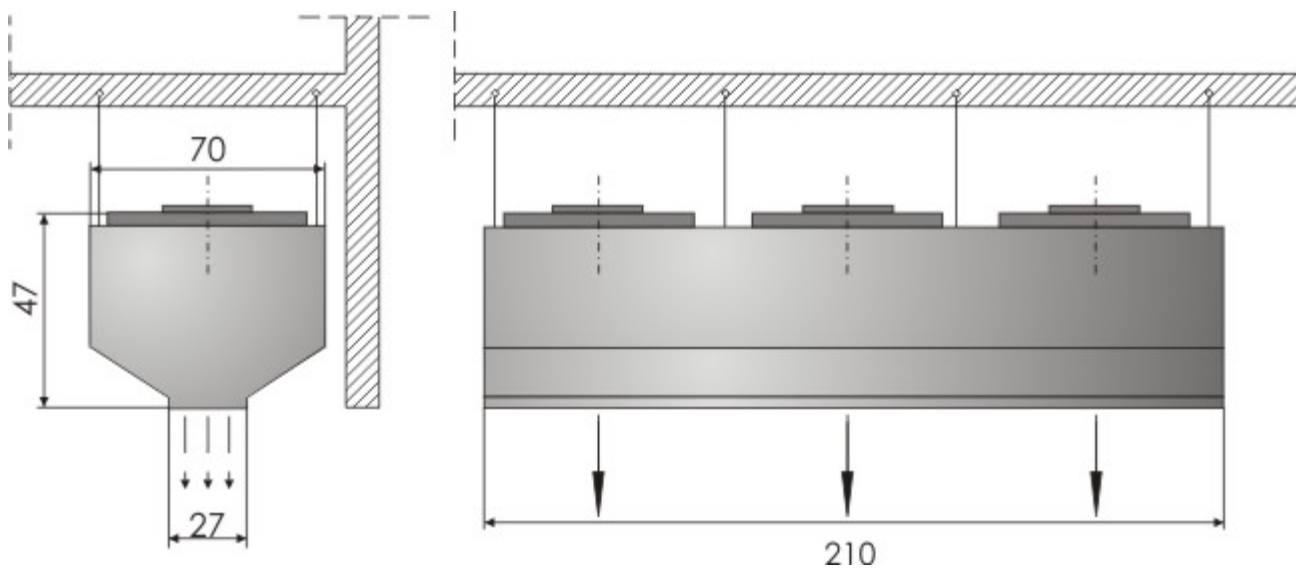
Fan Parameters		
Number of fans	3	
Voltage (V)	230	400
Motor power (kW)	0,78	0,79
Current (A)	3,4	1,45
Fan speed (rpm)	1310	1330

Airflow and Heating Capacity of Water-Heated Air Curtain				
Airflow (m <sup>3</sup> /h)			23200	
Heating capacity (kW), discharge air temperature (°C) and water pressure drop (kPa)				
Water temperatures (°C)	Entering air temperature (°C)	kW	°C	kPa
90/70	5	115,0	19	8,0
	10	104,6	23	6,1
	15	94,2	27	5,3
80/60	5	94,6	16	5,2
	10	84,6	20	4,3
	15	74,8	24	3,3
70/50	5	75,1	14	3,1
	10	65,7	18	2,7
	15	56,6	22	2,2
60/40	5	56,8	12	2,2
	10	48,0	16	1,6
	15	39,6	20	1,2

<b>Noise Level (dB(A))</b>	
<b>From distance of 5m</b>	67
<b>Curtain weight</b>	
<b>Weight [kg]</b>	151

# KP/BB-A-3-210-Z

## DIMENSIONS

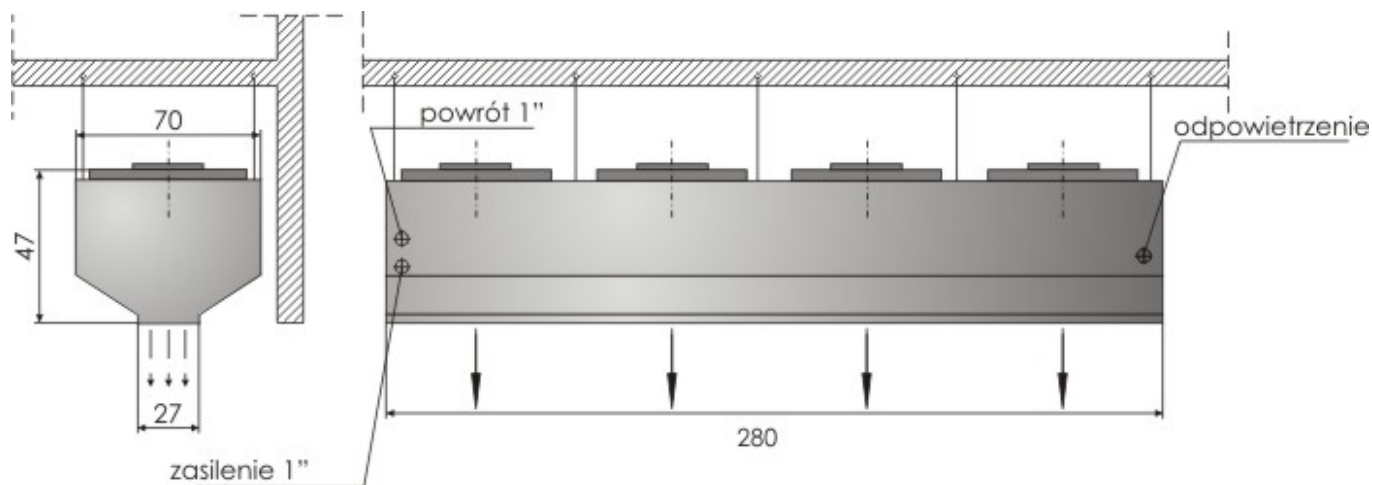


Fan Parameters		
Number of fans	3	
Voltage (V)	230	400
Motor power (kW)	0,78	0,79
Current (A)	3,4	1,45
Fan speed (rpm)	1310	1330
Airflow (m <sup>3</sup> /h)	23200	

Noise Level (dB(A))	
From distance of 5m	67
Curtain weight	
Weight [kg]	151

## KP/BB-A-3-280-W

### DIMENSIONS



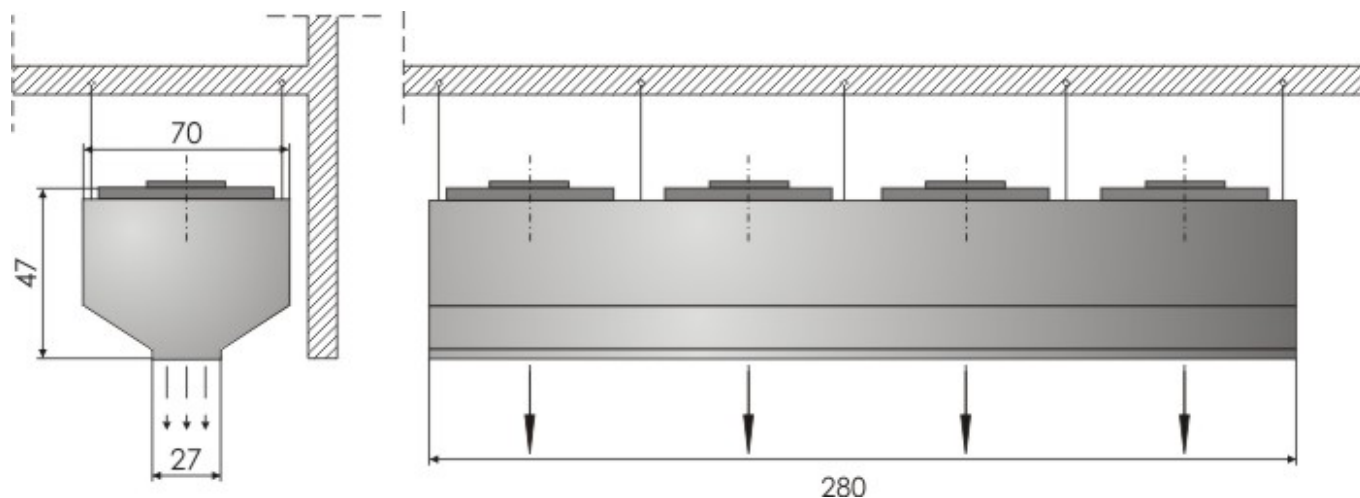
Fan Parameters		
Number of fans	4	
Voltage (V)	230	400
Motor power (kW)	0,78	0,79
Current (A)	3,4	1,45
Fan speed (rpm)	1310	1330

Airflow and Heating Capacity of Water-Heated Air Curtain				
Airflow (m <sup>3</sup> /h)			31200	
Heating capacity (kW), discharge air temperature (°C) and water pressure drop (kPa)				
Water temperatures (°C)	Entering air temperature (°C)	kW	°C	kPa
90/70	5	173,9	20	19,5
	10	158,0	24	16,0
	15	142,2	28	13,5
80/60	5	143,1	18	13,4
	10	127,9	21	11,8
	15	113,2	25	9,1
70/50	5	113,0	15	9,0
	10	99,6	19	8,4
	15	85,7	23	6,5
60/40	5	86,2	13	6,4
	10	72,9	16	4,3
	15	60,1	20	3,4

<b>Noise Level (dB(A))</b>	
<b>From distance of 5m</b>	67
<b>Curtain weight</b>	
<b>Weight [kg]</b>	199

# KP/BB-A-3-280-Z

## DIMENSIONS

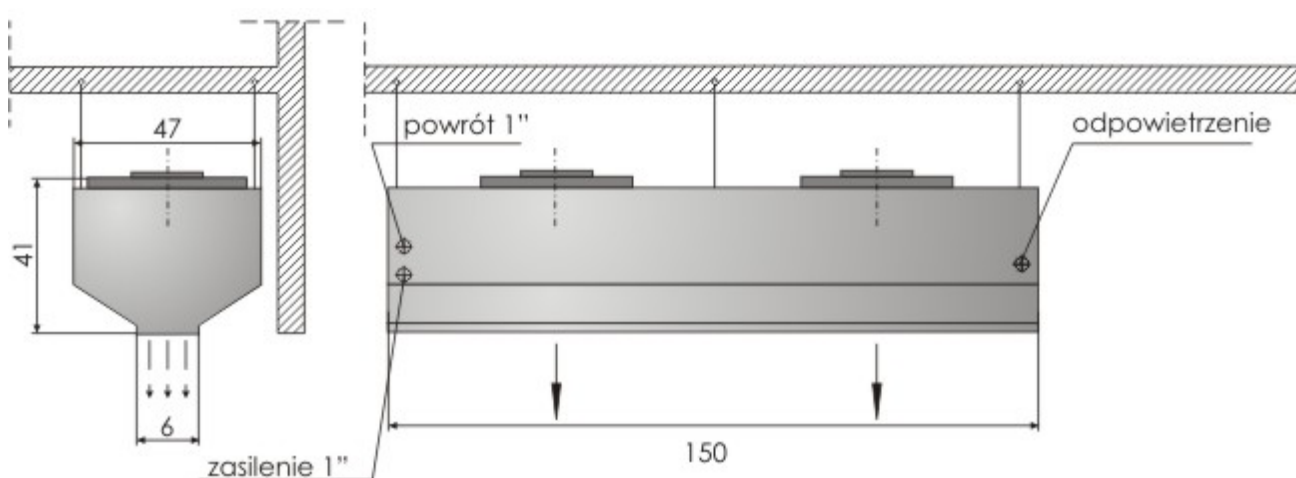


Fan Parameters		
Number of fans	4	
Voltage (V)	230	400
Motor power (kW)	0,78	0,79
Current (A)	3,4	1,45
Fan speed (rpm)	1310	1330
Airflow (m <sup>3</sup> /h)	31200	

Noise Level (dB(A))	
From distance of 5m	67
Curtain weight	
Weight [kg]	199

## KP/BB-B-01-150-W

### DIMENSIONS



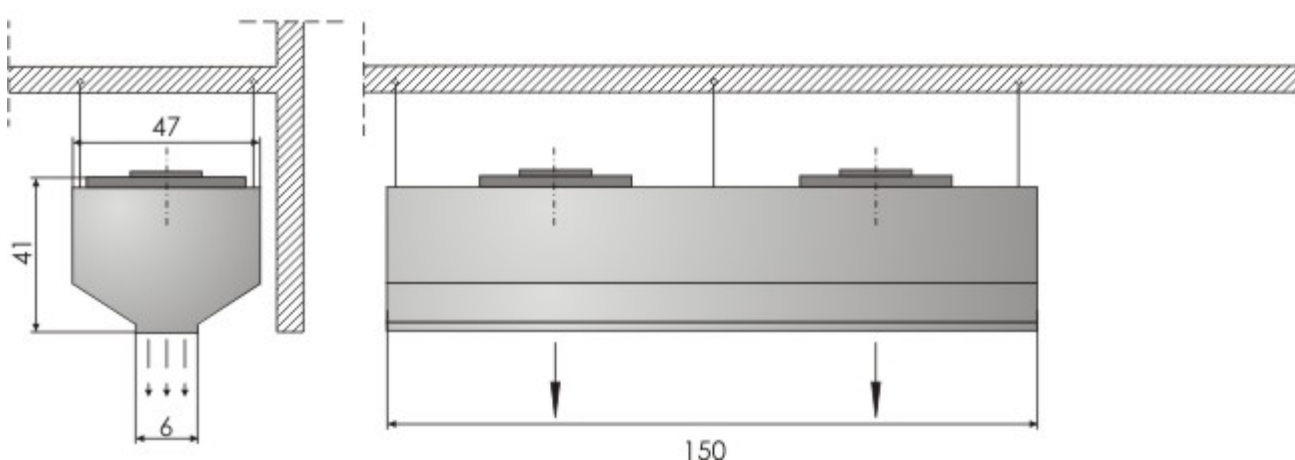
Fan Parameters		
Number of fans	2	
Voltage (V)	230	400
Motor power (kW)	0,13	0,12
Current (A)	0,59	0,29
Fan speed (rpm)	1400	1410

Airflow and Heating Capacity of Water-Heated Air Curtain				
Airflow (m <sup>3</sup> /h)			2900	
Heating capacity (kW), discharge air temperature (°C) and water pressure drop (kPa)				
Water temperatures (°C)	Entering air temperature (°C)	kW	°C	kPa
90/70	5	23,0	27	3,8
	10	20,8	30	3,0
	15	18,5	33	2,5
80/60	5	19,1	23	2,6
	10	16,9	26	2,0
	15	14,8	30	1,7
70/50	5	15,1	19	1,7
	10	13,2	23	1,4
	15	11,2	26	1,2
60/40	5	11,5	16	1,3
	10	9,6	19	0,8
	15	7,9	23	0,6

<b>Noise Level (dB(A))</b>	
<b>From distance of 3m</b>	60
<b>Curtain weight</b>	
<b>Weight [kg]</b>	65

# KP/BB-B-01-150-E

## DIMENSIONS



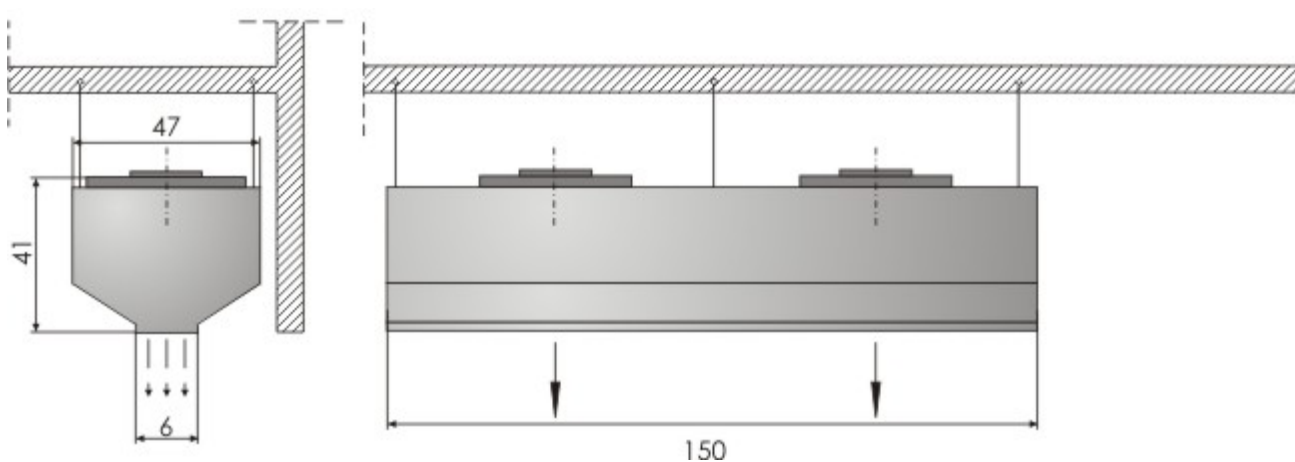
Fan Parameters		
Number of fans	2	
Voltage (V)	230	400
Motor power (kW)	0,13	0,12
Current (A)	0,59	0,29
Fan speed (rpm)	1400	1410

Thermal power and air flow of the curtain with the electric heaters	
Air flow [m <sup>3</sup> /h]	2900
Thermal power levels [kW]	3 / 9 / 12

Noise Level (dB(A))	
From distance of 3m	60
Curtain weight	
Weight [kg]	65

# KP/BB-B-01-150-Z

## DIMENSIONS

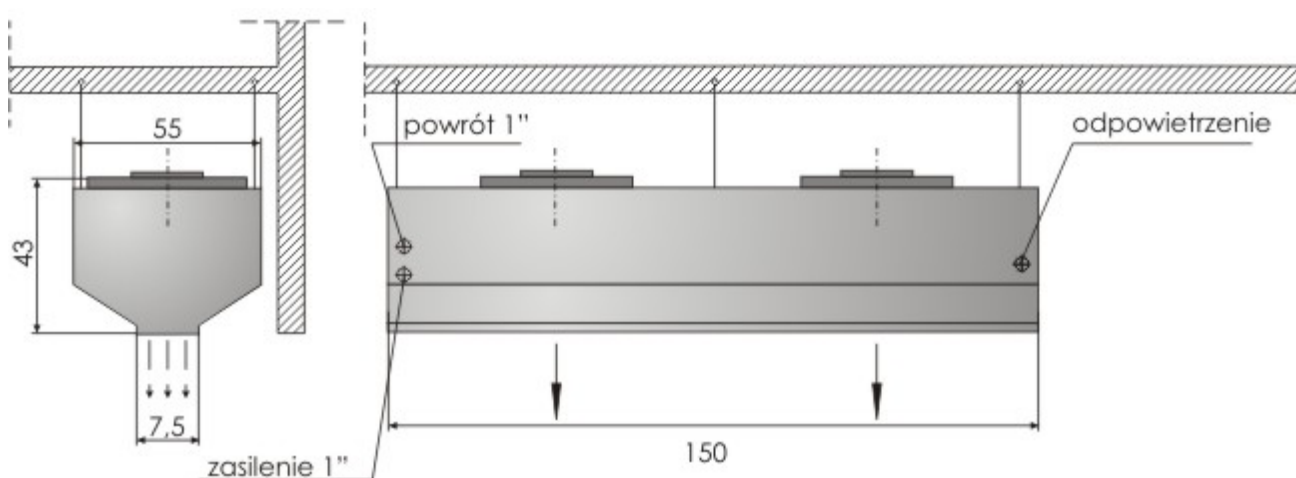


Fan Parameters		
<b>Number of fans</b>	4	
<b>Voltage (V)</b>	230	400
<b>Motor power (kW)</b>	0,13	0,12
<b>Current (A)</b>	0,59	0,29
<b>Fan speed (rpm)</b>	1400	1410
<b>Airflow (m<sup>3</sup>/h)</b>	2900	

Noise Level (dB(A))	
<b>From distance of 3m</b>	60
Curtain weight	
<b>Weight [kg]</b>	150

## KP/BB-B-02-150-W

### DIMENSIONS



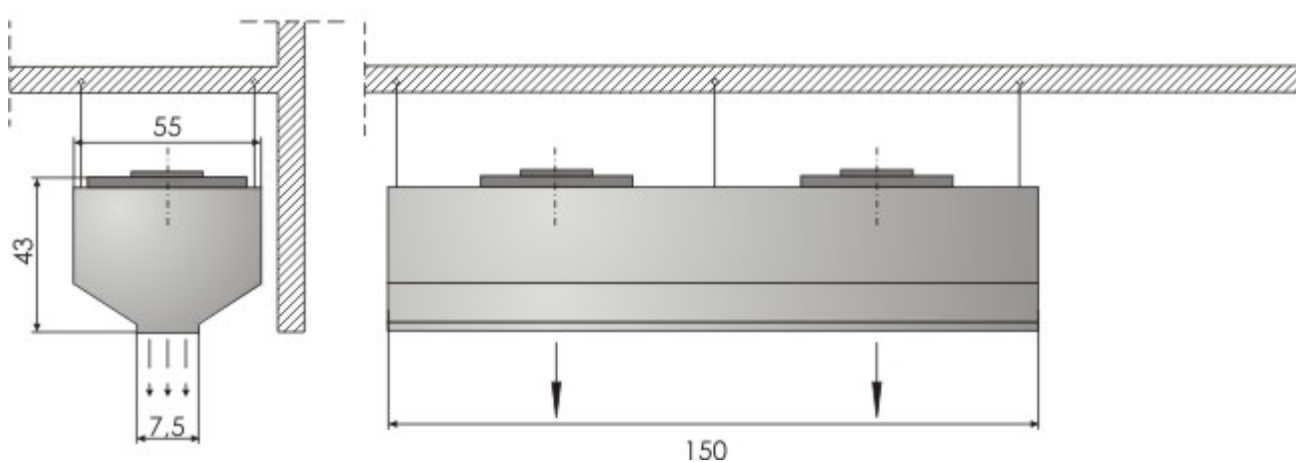
Fan Parameters		
Number of fans	2	
Voltage (V)	230	400
Motor power (kW)	0,20	0,18
Current (A)	0,9	0,33
Fan speed (rpm)	1400	1350

Airflow and Heating Capacity of Water-Heated Air Curtain				
Airflow (m <sup>3</sup> /h)			4000	
Heating capacity (kW), discharge air temperature (°C) and water pressure drop (kPa)				
Water temperatures (°C)	Entering air temperature (°C)	kW	°C	kPa
90/70	5	33,0	28	7,5
	10	29,8	31	5,5
	15	26,6	34	5,0
80/60	5	27,2	24	5,0
	10	24,2	27	4,2
	15	21,3	30	3,5
70/50	5	21,7	20	3,6
	10	18,9	23	2,8
	15	16,2	26	2,1
60/40	5	16,5	16	2,2
	10	13,9	20	1,8
	15	11,4	23	1,3

<b>Noise Level (dB(A))</b>	
<b>From distance of 3m</b>	62
<b>Curtain weight</b>	
<b>Weight [kg]</b>	73

## KP/BB-B-02-150-E

### DIMENSIONS



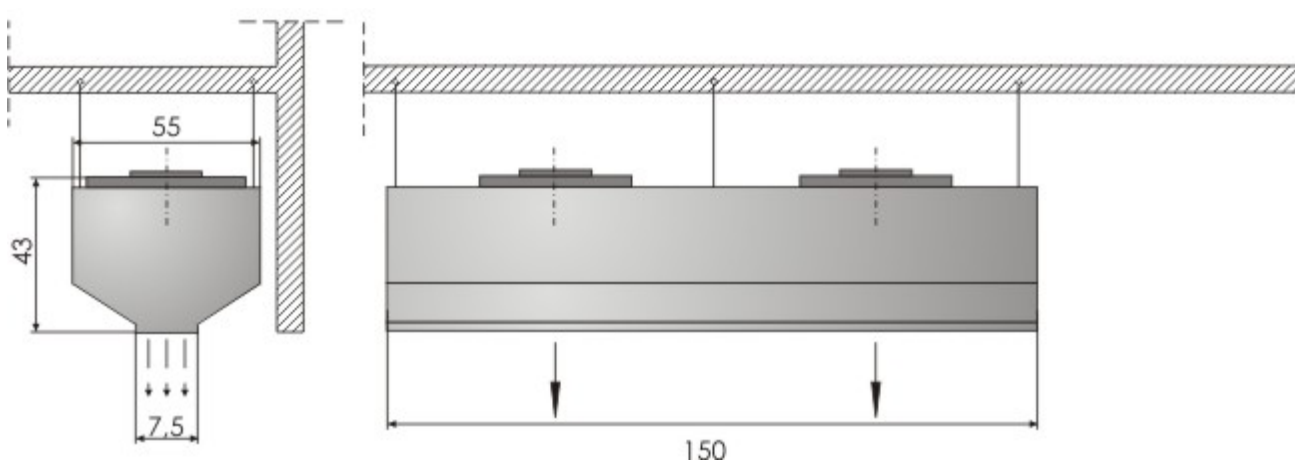
Fan Parameters		
Number of fans	2	
Voltage (V)	230	400
Motor power (kW)	0,20	0,18
Current (A)	0,9	0,33
Fan speed (rpm)	1400	1350

Thermal power and air flow of the curtain with the electric heaters	
Air flow [m <sup>3</sup> /h]	4000
Thermal power levels [kW]	6 / 12 / 18

Noise Level (dB(A))	
From distance of 3m	62
Curtain weight	
Weight [kg]	73

# KP/BB-B-02-150-Z

## DIMENSIONS

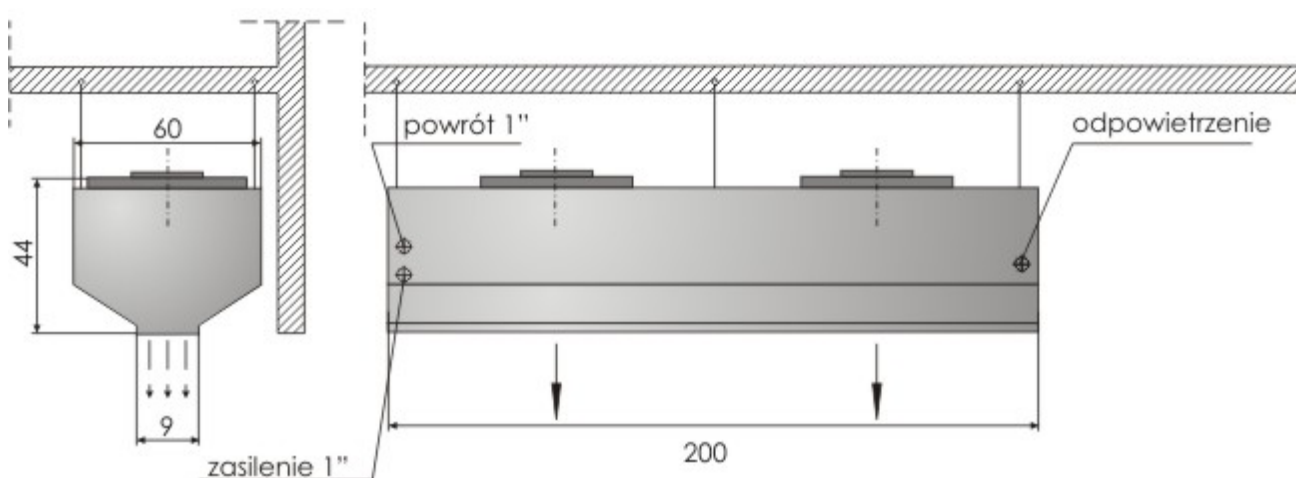


Fan Parameters		
Number of fans	2	
Voltage (V)	230	400
Motor power (kW)	0,20	0,18
Current (A)	0,9	0,33
Fan speed (rpm)	1400	1350
Airflow (m <sup>3</sup> /h)	4000	

Noise Level (dB(A))	
From distance of 3m	62
Curtain weight	
Weight [kg]	73

## KP/BB-B-1-200-W

### DIMENSIONS



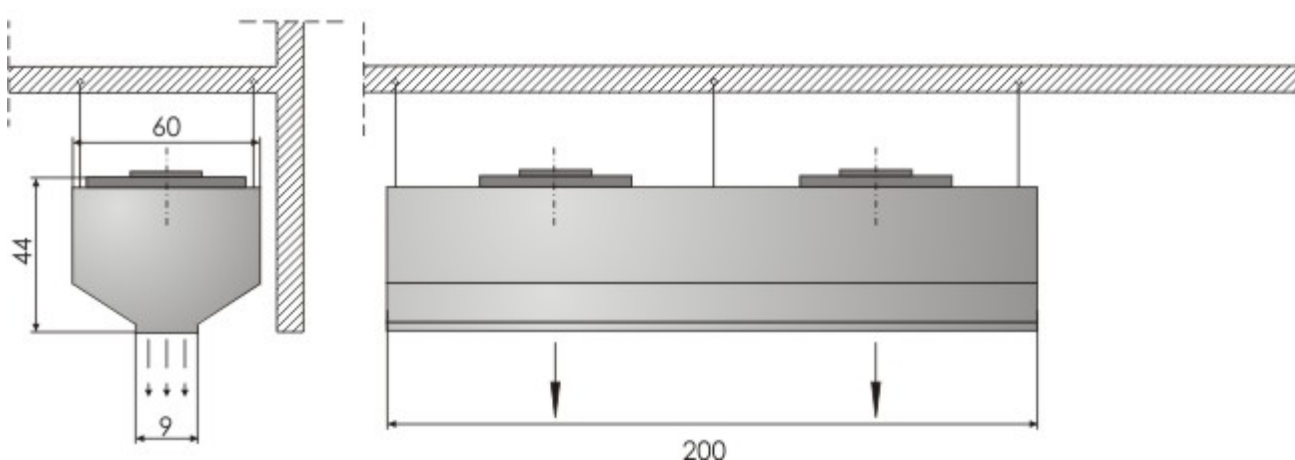
Fan Parameters		
Number of fans	2	
Voltage (V)	230	400
Motor power (kW)	0,31	0,28
Current (A)	1,35	0,47
Fan speed (rpm)	1320	1250

Airflow and Heating Capacity of Water-Heated Air Curtain				
Airflow (m <sup>3</sup> /h)			6500	
Heating capacity (kW), discharge air temperature (°C) and water pressure drop (kPa)				
Water temperatures (°C)	Entering air temperature (°C)	kW	°C	kPa
90/70	5	49,2	26	2,7
	10	44,7	29	2,3
	15	40,3	33	1,9
80/60	5	40,6	22	1,9
	10	36,4	26	1,6
	15	32,2	29	1,3
70/50	5	32,4	19	1,3
	10	28,4	22	1,0
	15	24,5	26	0,8
60/40	5	24,7	15	0,8
	10	20,9	19	0,6
	15	17,3	22	0,5

<b>Noise Level (dB(A))</b>	
<b>From distance of 5m</b>	60
<b>Curtain weight</b>	
<b>Weight [kg]</b>	102

# KP/BB-B-1-200-Z

## DIMENSIONS

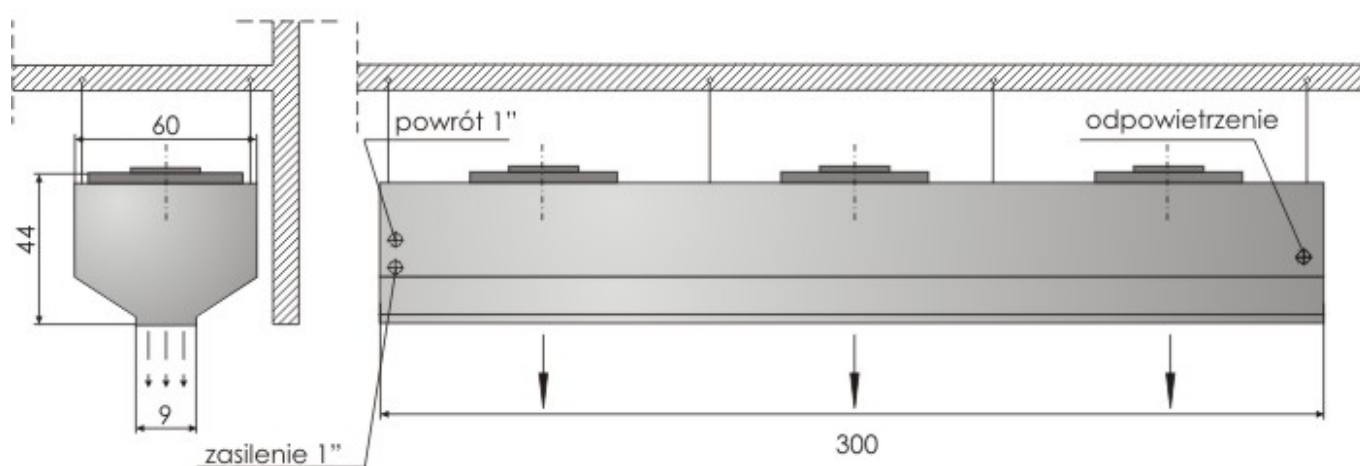


Fan Parameters		
Number of fans	2	
Voltage (V)	230	400
Motor power (kW)	0,31	0,28
Current (A)	1,35	0,47
Fan speed (rpm)	1320	1250
Airflow (m <sup>3</sup> /h)	6500	

Noise Level (dB(A))	
From distance of 5m	60
Curtain weight	
Weight [kg]	102

## KP/BB-B-1-300-W

### DIMENSIONS



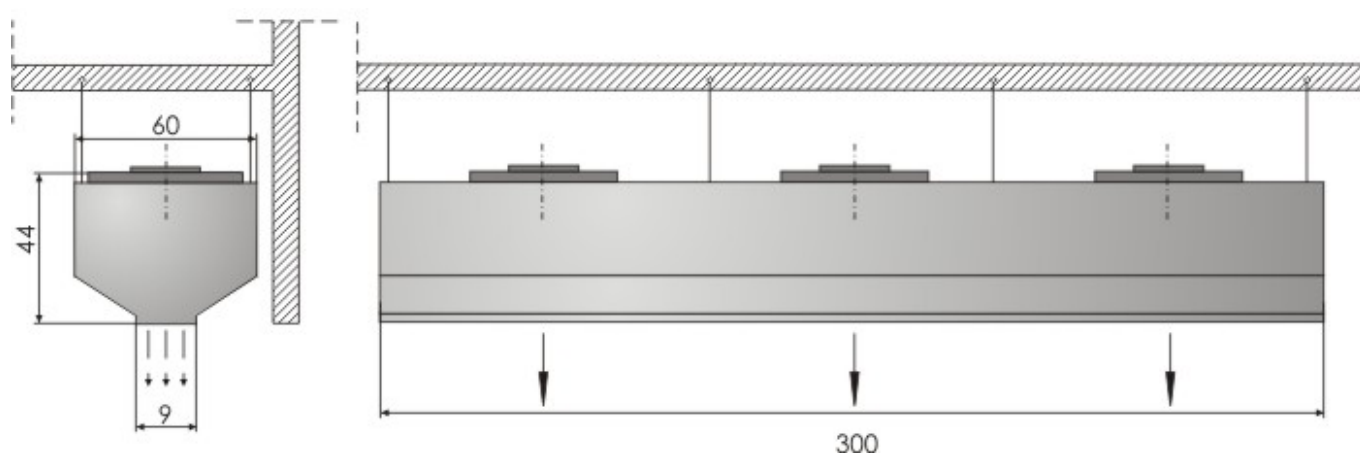
Fan Parameters		
Number of fans	3	
Voltage (V)	230	400
Motor power (kW)	0,31	0,28
Current (A)	1,35	0,47
Fan speed (rpm)	1320	1250

Airflow and Heating Capacity of Water-Heated Air Curtain				
Airflow (m <sup>3</sup> /h)			9750	
Heating capacity (kW), discharge air temperature (°C) and water pressure drop (kPa)				
Water temperatures (°C)	Entering air temperature (°C)	kW	°C	kPa
90/70	5	86,0	28	9,0
	10	78,3	33	8,0
	15	70,7	36	6,5
80/60	5	71,3	25	6,5
	10	63,9	28	5,3
	15	56,6	32	4,8
70/50	5	57,7	21	4,6
	10	50,0	24	4,0
	15	43,2	28	2,9
60/40	5	43,5	17	2,9
	10	36,2	20	9,3
	15	36,0	24	1,8

<b>Noise Level (dB(A))</b>	
<b>From distance of 5m</b>	60
<b>Curtain weight</b>	
<b>Weight [kg]</b>	149

# KP/BB-B-1-300-Z

## DIMENSIONS

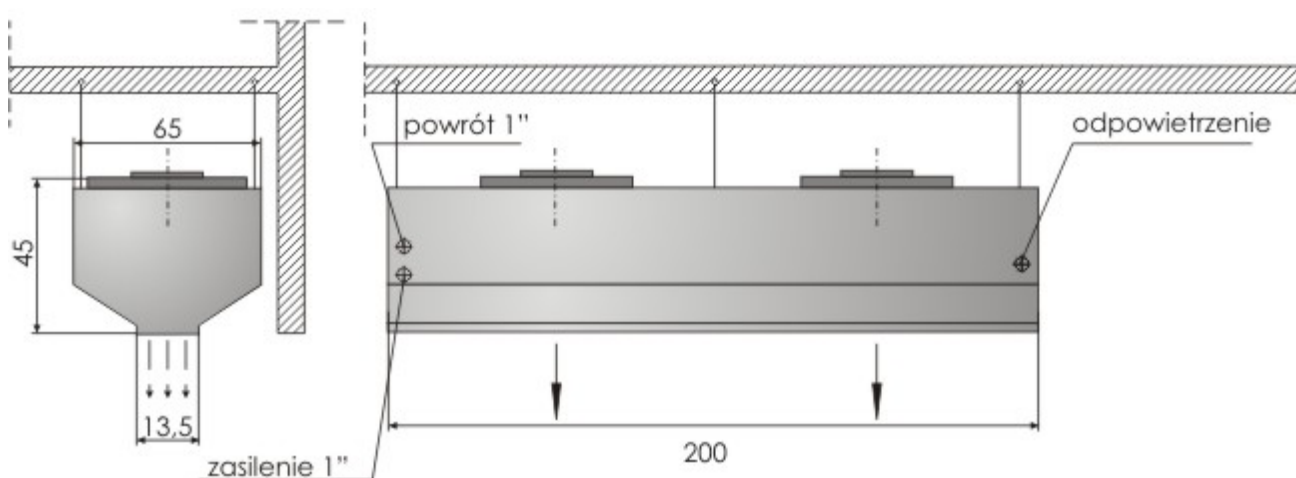


Fan Parameters		
Number of fans	3	
Voltage (V)	230	400
Motor power (kW)	0,31	0,28
Current (A)	1,35	0,47
Fan speed (rpm)	1320	1250
Airflow (m <sup>3</sup> /h)	9750	

Noise Level (dB(A))	
From distance of 1m	60
Curtain weight	
Weight [kg]	149

## KP/BB-B-2-200-W

### DIMENSIONS



Fan Parameters		
Number of fans	2	
Voltage (V)	230	400
Motor power (kW)	0,61	0,54
Current (A)	2,8	1,05
Fan speed (rpm)	1310	1360

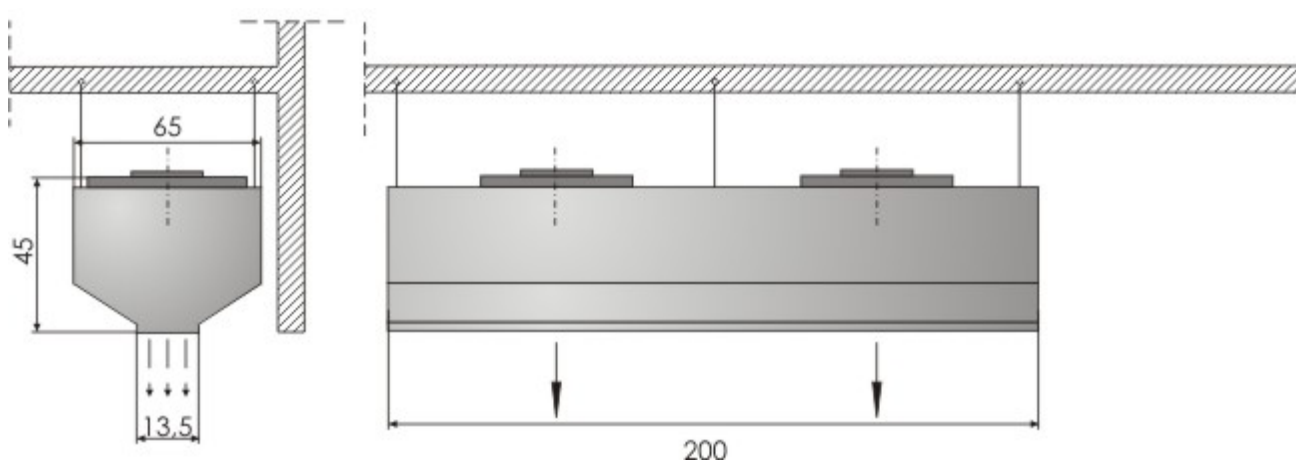
Airflow and Heating Capacity of Water-Heated Air Curtain				
Airflow (m <sup>3</sup> /h)				11000
Heating capacity (kW), discharge air temperature (°C) and water pressure drop (kPa)				
Water temperatures (°C)	Entering air temperature (°C)	kW	°C	kPa
90/70	5	73,2	23	3,2
	10	66,5	27	2,8
	15	60,0	31	2,4
80/60	5	60,4	20	2,5
	10	54,0	24	2,2
	15	47,8	27	1,7
70/50	5	48,1	17	1,7
	10	42,1	21	1,3
	15	36,3	24	1,0

<b>60/40</b>	<b>5</b>	36,5	14	1,0
	<b>10</b>	30,9	18	0,9
	<b>15</b>	25,5	21	0,8

<b>Noise Level (dB(A))</b>	
<b>From distance of 5m</b>	66
<b>Curtain weight</b>	
<b>Weight [kg]</b>	117

# KP/BB-A-2-196-Z

## DIMENSIONS

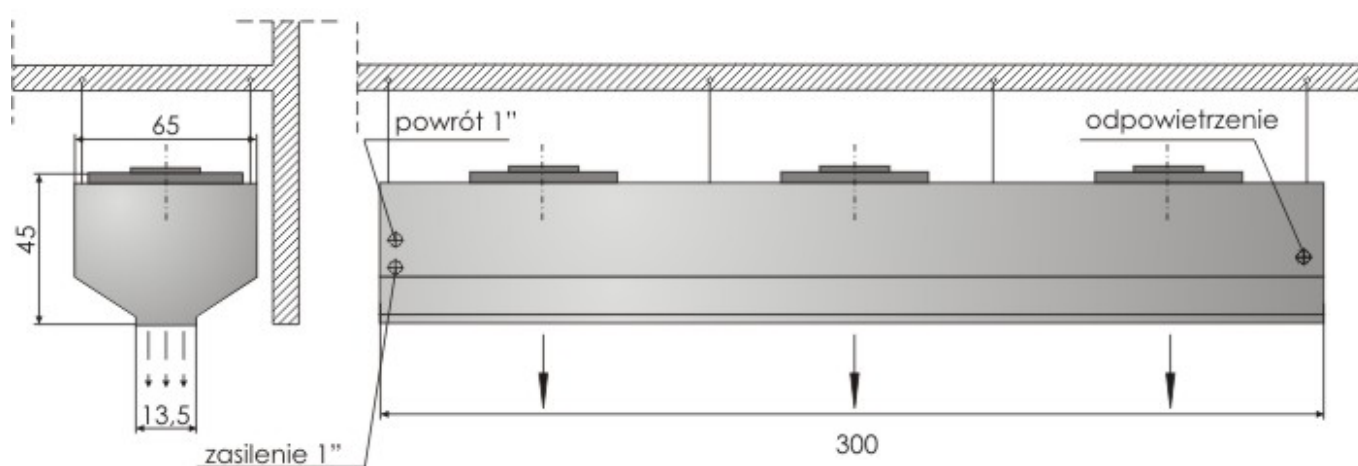


Fan Parameters		
Number of fans	2	
Voltage (V)	230	400
Motor power (kW)	0,61	0,54
Current (A)	2,8	1,05
Fan speed (rpm)	1310	1360
Airflow (m <sup>3</sup> /h)	11000	

Noise Level (dB(A))	
From distance of 5m	66
Curtain weight	
Weight [kg]	117

# KP/BB-B-2-300-W

## DIMENSIONS



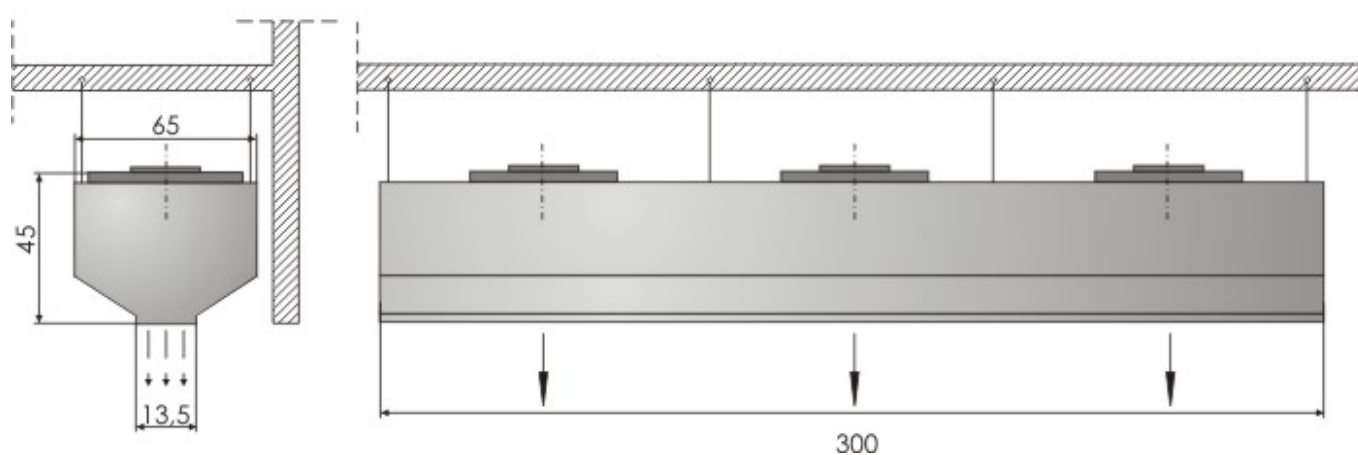
Fan Parameters		
Number of fans	3	
Voltage (V)	230	400
Motor power (kW)	0,61	0,54
Current (A)	2,8	1,05
Fan speed (rpm)	1310	1360

Airflow and Heating Capacity of Water-Heated Air Curtain				
Airflow (m <sup>3</sup> /h)			16500	
Heating capacity (kW), discharge air temperature (°C) and water pressure drop (kPa)				
Water temperatures (°C)	Entering air temperature (°C)	kW	°C	kPa
90/70	5	128,8	27	14,0
	10	117,1	30	12,5
	15	105,6	33	8,9
80/60	5	106,4	23	9,0
	10	95,3	26	8,0
	15	84,4	30	6,5
70/50	5	85,0	19	6,4
	10	74,5	23	4,8
	15	66,4	26	4,3
60/40	5	64,7	16	4,2
	10	54,9	19	3,0
	15	45,4	23	2,4

<b>Noise Level (dB(A))</b>	
<b>From distance of 5m</b>	66
<b>Curtain weight</b>	
<b>Weight [kg]</b>	170

# KP/BB-B-2-300-Z

## DIMENSIONS

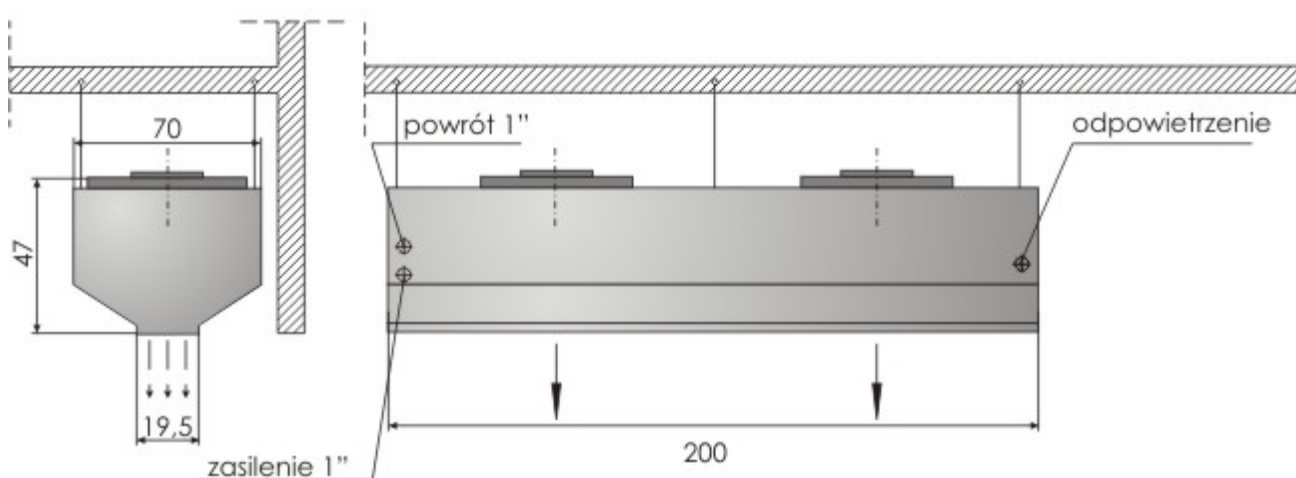


Fan Parameters		
Number of fans	3	
Voltage (V)	230	400
Motor power (kW)	0,61	0,54
Current (A)	2,8	1,05
Fan speed (rpm)	1310	1360
Airflow (m <sup>3</sup> /h)	16500	

Noise Level (dB(A))	
From distance of 5m	66
Curtain weight	
Weight [kg]	170

## KP/BB-B-3-200-W

### DIMENSIONS



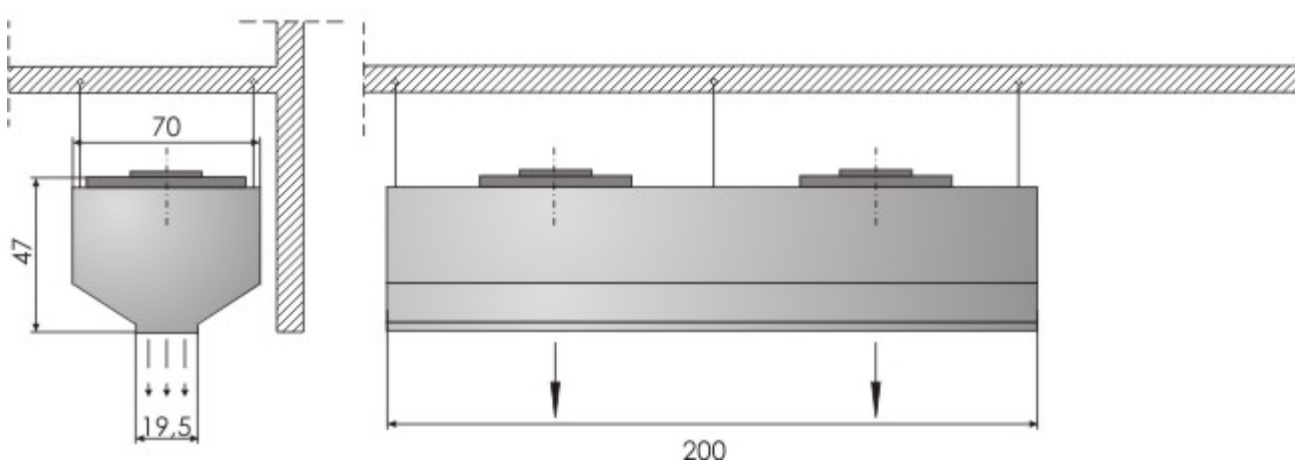
Fan Parameters		
Number of fans	2	
Voltage (V)	230	400
Motor power (kW)	0,78	0,79
Current (A)	3,4	1,45
Fan speed (rpm)	1310	1330

Airflow and Heating Capacity of Water-Heated Air Curtain				
Airflow (m <sup>3</sup> /h)			15600	
Heating capacity (kW), discharge air temperature (°C) and water pressure drop (kPa)				
Water temperatures (°C)	Entering air temperature (°C)	kW	°C	kPa
90/70	5	88,9	21	5,1
	10	80,8	24	4,0
	15	72,8	28	3,4
80/60	5	73,2	18	3,3
	10	65,5	22	2,8
	15	57,9	25	2,4
70/50	5	58,2	15	2,4
	10	50,9	19	1,9
	15	43,9	23	1,6
60/40	5	44,1	13	1,5
	10	37,3	17	1,4
	15	38,0	20	1,0

<b>Noise Level (dB(A))</b>	
<b>From distance of 5m</b>	67
<b>Curtain weight</b>	
<b>Weight [kg]</b>	131

# KP/BB-B-3-200-Z

## DIMENSIONS

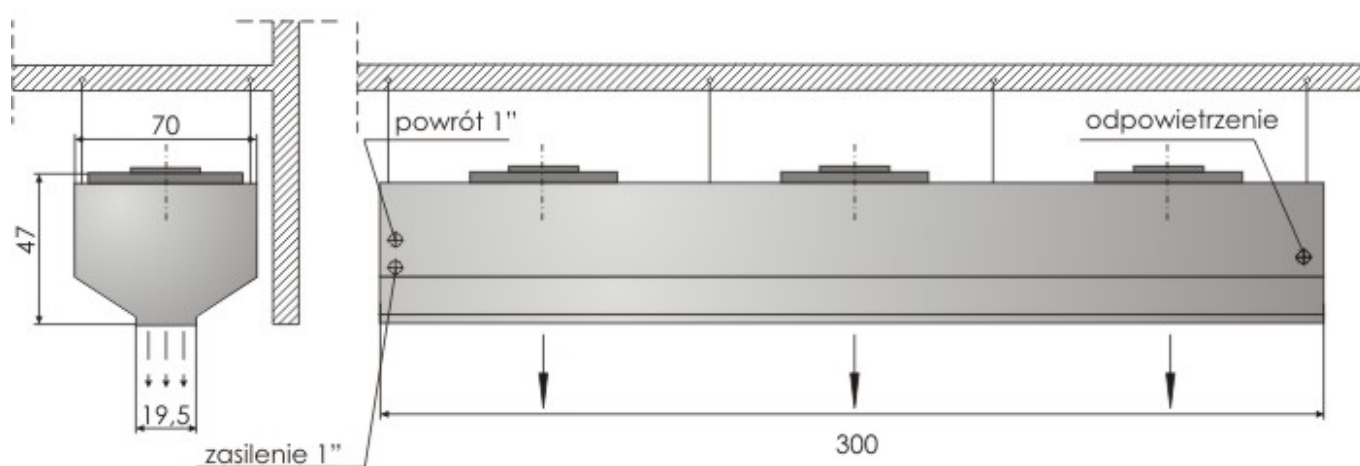


Fan Parameters		
Number of fans	2	
Voltage (V)	230	400
Motor power (kW)	0,78	0,79
Current (A)	3,4	1,45
Fan speed (rpm)	1310	1330
Airflow (m <sup>3</sup> /h)	15600	

Noise Level (dB(A))	
From distance of 5m	67
Curtain weight	
Weight [kg]	131

## KP/BB-B-3-300-W

### DIMENSIONS



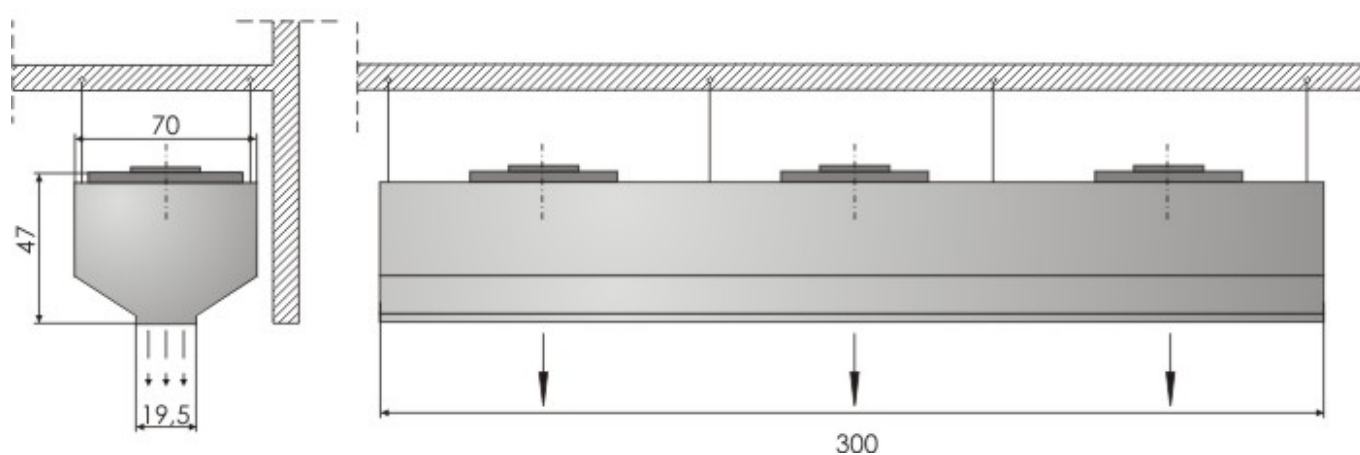
Fan Parameters		
Number of fans	3	
Voltage (V)	230	400
Motor power (kW)	0,78	0,79
Current (A)	3,4	1,45
Fan speed (rpm)	1310	1330

Airflow and Heating Capacity of Water-Heated Air Curtain				
Airflow (m <sup>3</sup> /h)			23200	
Heating capacity (kW), discharge air temperature (°C) and water pressure drop (kPa)				
Water temperatures (°C)	Entering air temperature (°C)	kW	°C	kPa
90/70	5	156,0	24	19,0
	10	142,2	27	15,5
	15	128,2	31	13,0
80/60	5	129,0	20	13,0
	10	115,4	24	11,6
	15	102,2	27	9,0
70/50	5	102,0	17	8,9
	10	90,0	21	8,0
	15	77,7	24	6,1
60/40	5	78,1	14	6,1
	10	66,1	18	4,2
	15	54,6	22	3,3

<b>Noise Level (dB(A))</b>	
<b>From distance of 5m</b>	<b>67</b>
<b>Weight</b>	
<b>Weight (kg)</b>	<b>188</b>

## KP/BB-B-3-300-Z

### DIMENSIONS



Fan Parameters		
Number of fans	3	
Voltage (V)	230	400
Motor power (kW)	0,78	0,79
Current (A)	3,4	1,45
Fan speed (rpm)	1310	1330
Airflow (m <sup>3</sup> /h)	23200	

Noise Level (dB(A))	
At a distance of 5 m	67
Weight	
Weight (kg)	188