



## SMART Air Curtains

SMART air curtains are designed to provide an effective air barrier across doorways and building openings. By minimising heat loss and unwanted air exchange, they help maintain a comfortable indoor environment while improving overall energy efficiency and reducing operating costs. SMART air curtains are suitable for a wide range of applications, including:

- Shopping centres and supermarkets
- Restaurants and bars
- Public buildings and offices
- Hotels and banks
- Hospitals and pharmacies
- Warehouses and logistics facilities

The units are designed to recirculate and heat indoor air. They can also operate as ambient (unheated) air curtains where heating is not required. SMART air curtains are recommended for doorways and building openings with installation heights of approximately **2.5 m**. Primarily intended for **horizontal installation** above doorways, multiple units can be installed side by side to provide continuous air protection across wider entrances. **Vertical installation** may also be possible, subject to manufacturer approval.

### PRODUCT DESCRIPTION

The air curtains consist of the following components:

- A robust powder-coated steel casing with a full-length discharge slot and durable plastic side panels
- A water heating coil or electric heater, depending on the model
- A cross-flow fan

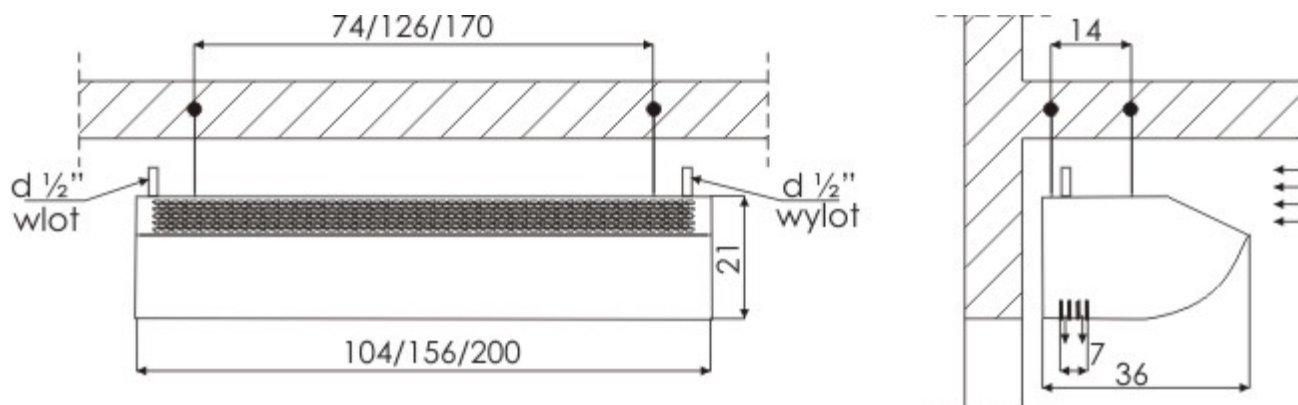
The range is available in lengths of 104 cm, 156 cm, and 200 cm.

### WORKING CONDITIONS

Water-heated models are designed for operation with heating water temperatures up to 150°C and operating pressures up to 1.5 MPa. Ambient and water-heated models are supplied with 230 V / 50 Hz single-phase fan motors. Electric-heated models typically operate on a 400 V / 50 Hz three-phase power supply, although a single-phase electric heater version is available for the SMART-104-E model. Electric heaters are equipped with integrated overheat protection to ensure safe and reliable operation.

# SMART-104-W

## DIMENSIONS



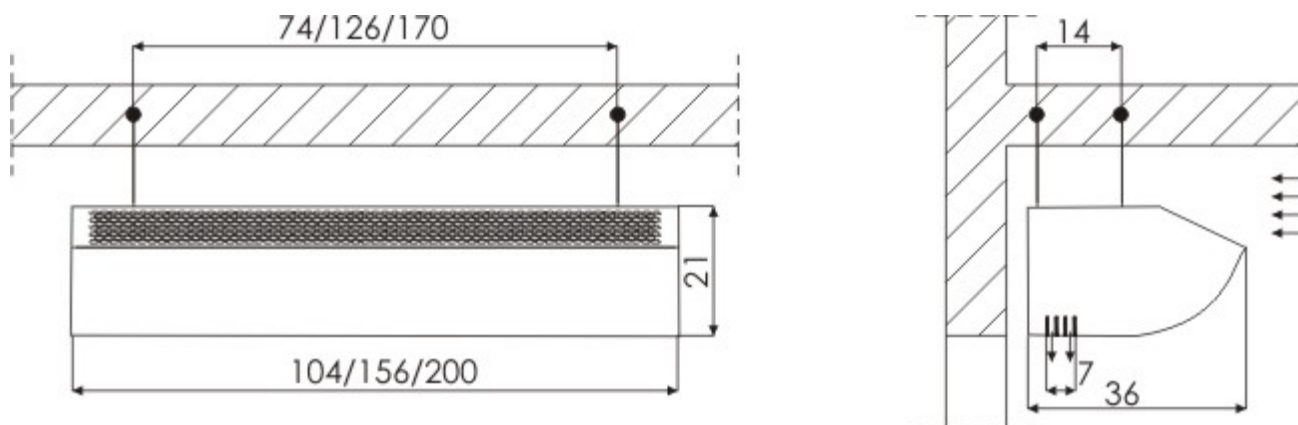
Fan Parameters	
<b>Voltage (V)</b>	230
<b>Motor power (kW)</b>	0,130
<b>Current (A)</b>	0,60
<b>Fan speed (rpm)</b>	1250

Airflow and Heating Capacity				
<b>Airflow (m<sup>3</sup>/h)</b>			1400	
<b>Heating capacity (kW), discharge air temperature (°C) and water pressure drop (kPa)</b>				
<b>Water temperatures (°C)</b>	<b>Entering air temperature (°C)</b>	<b>kW</b>	<b>°C</b>	<b>kPa</b>
<b>90/70</b>	5	11,5	28	2,1
	10	10,4	31	1,7
	15	9,4	34	1,4
	20	8,5	38	1,1
<b>80/60</b>	5	9,5	24	1,6
	10	8,5	27	1,3
	15	7,6	30	1,0
	20	6,7	34	0,8
<b>70/50</b>	5	7,7	20	1,3
	10	6,7	23	1,0
	15	5,8	27	0,8
	20	5,0	30	0,6
<b>60/40</b>	5	5,9	17	0,7
	10	5,0	20	0,5
	15	4,2	23	0,4
	20	3,4	28	0,3

<b>Noise Level (dB(A))</b>		
<b>Selected fan speed</b>	<b>At a distance of 1 m</b>	<b>At a distance of 3 m</b>
<b>3</b>	61	58
<b>2</b>	56	53
<b>1</b>	49	46
<b>Weight</b>		
<b>Weight (kg)</b>	25	

# SMART-104-E

## DIMENSIONS



Fan Parameters	
<b>Voltage (V)</b>	230
<b>Motor power (kW)</b>	0,130
<b>Current (A)</b>	0,60
<b>Fan speed (rpm)</b>	1250

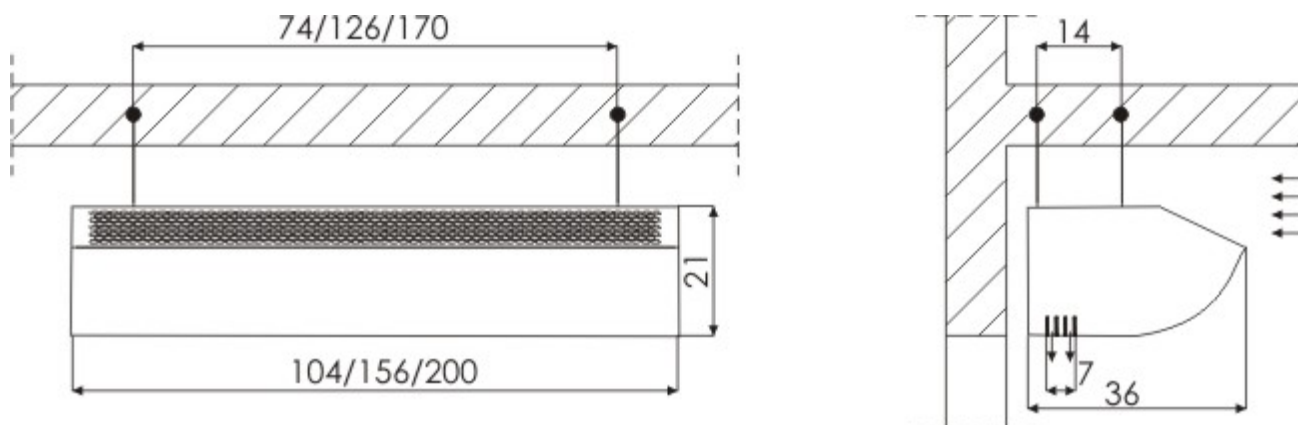
Airflow and Heating Capacity	
<b>Airflow (m<sup>3</sup>/h)</b>	1750
<b>Heating capacity stages (kW)</b>	1.5 / 3 / 4.5 1 / 2 / 3*

\* - single-phase electric heater version

Noise Level (dB(A))		
Selected fan speed	At a distance of 1 m	At a distance of 3 m
<b>3</b>	61	58
<b>2</b>	56	53
<b>1</b>	49	46
Weight		
<b>Weight (kg)</b>	29	

# SMART-104-Z

## DIMENSIONS

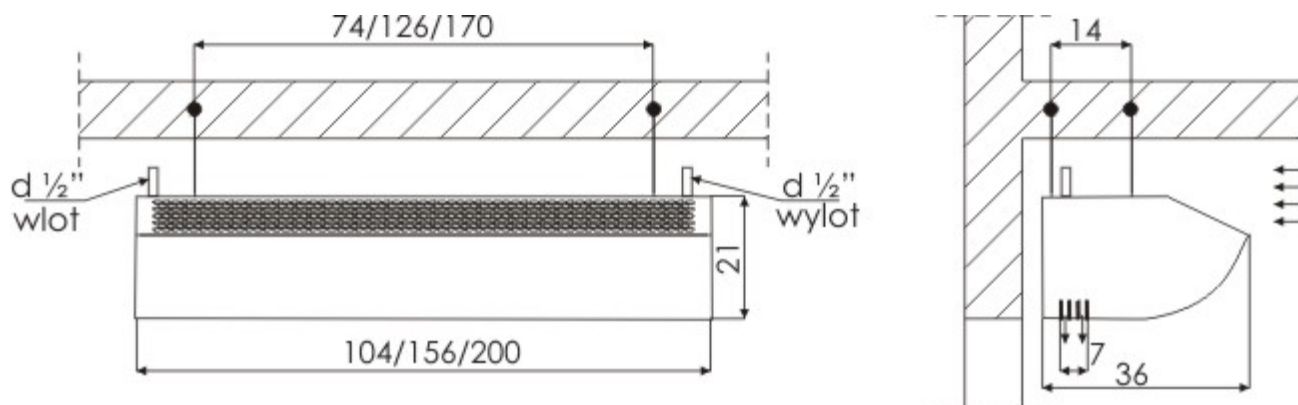


Fan Parameters	
<b>Voltage (V)</b>	230
<b>Motor power (kW)</b>	0,130
<b>Current (A)</b>	0,60
<b>Fan speed (rpm)</b>	1250
<b>Airflow (m<sup>3</sup>/h)</b>	1850

Noise Level (dB(A))		
Selected fan speed	At a distance of 1 m	At a distance of 3 m
<b>3</b>	61	58
<b>2</b>	56	53
<b>1</b>	49	46
Weight		
<b>Weight (kg)</b>	21	

# SMART-156-W

## DIMENSIONS



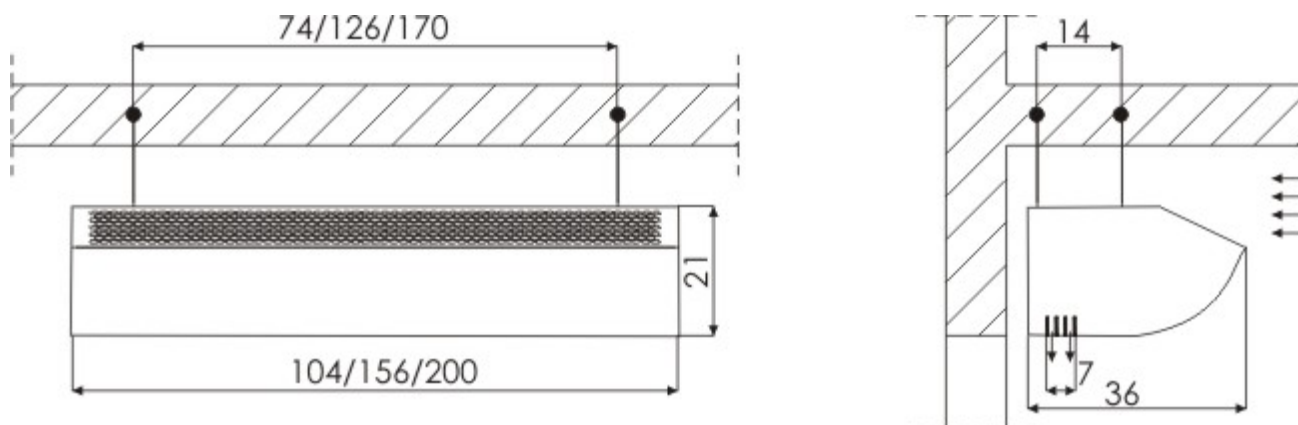
Fan Parameters	
<b>Voltage (V)</b>	230
<b>Motor power (kW)</b>	0,130
<b>Current (A)</b>	0,60
<b>Fan speed (rpm)</b>	1250

Airflow and Heating Capacity				
<b>Airflow (m<sup>3</sup>/h)</b>			2300	
<b>Heating capacity (kW), discharge air temperature (°C) and water pressure drop (kPa)</b>				
<b>Water temperatures (°C)</b>	<b>Entering air temperature (°C)</b>	<b>kW</b>	<b>°C</b>	<b>kPa</b>
<b>90/70</b>	5	19,4	29	8,6
	10	17,6	32	7,0
	15	15,9	35	5,5
	20	14,3	38	5,0
<b>80/60</b>	5	16,2	25	5,9
	10	14,4	28	4,5
	15	12,5	31	3,8
	20	11,3	34	3,0
<b>70/50</b>	5	13,0	21	3,9
	10	11,4	24	3,0
	15	9,9	27	2,3
	20	8,4	31	1,6
<b>60/40</b>	5	10,1	17	2,6
	10	8,5	20	1,7
	15	7,1	24	1,0
	20	5,7	27	1,0

<b>Noise Level (dB(A))</b>		
<b>Selected fan speed</b>	<b>At a distance of 1 m</b>	<b>At a distance of 3 m</b>
<b>3</b>	61	58
<b>2</b>	56	53
<b>1</b>	48	45
<b>Weight</b>		
<b>Weight (kg)</b>	35	

# SMART-156-E

## DIMENSIONS



Fan Parameters	
<b>Voltage (V)</b>	230
<b>Motor power (kW)</b>	0,130
<b>Current (A)</b>	0,60
<b>Fan speed (rpm)</b>	1250

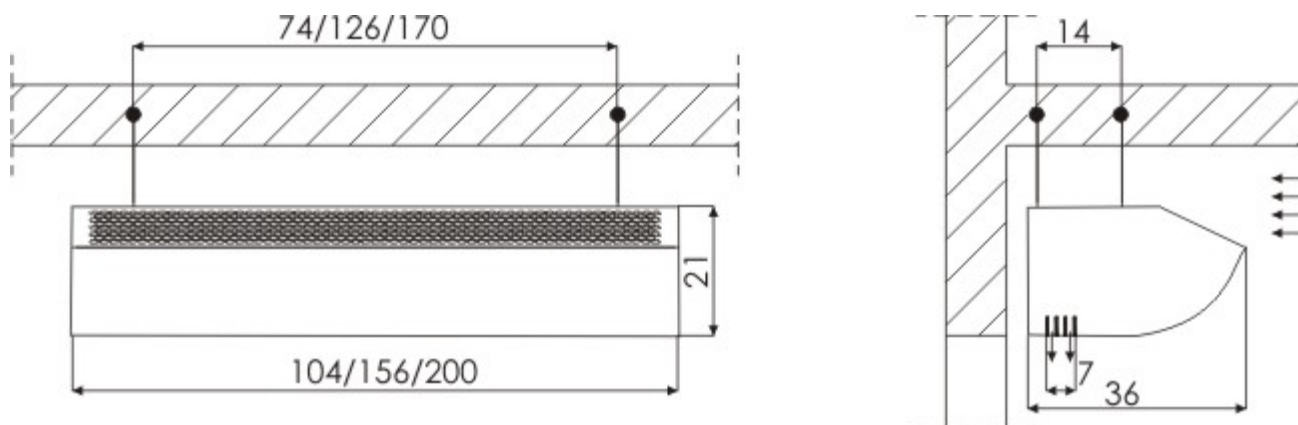
Airflow and Heating Capacity	
<b>Airflow (m<sup>3</sup>/h)</b>	2800
<b>Heating capacity stages (kW)</b>	3 / 6 / 9

Noise Level (dB(A))		
Selected fan speed	At a distance of 1 m	At a distance of 3 m
<b>3</b>	61	58
<b>2</b>	56	53
<b>1</b>	48	45

Weight	
<b>Weight (kg)</b>	37

# SMART-156-Z

## DIMENSIONS

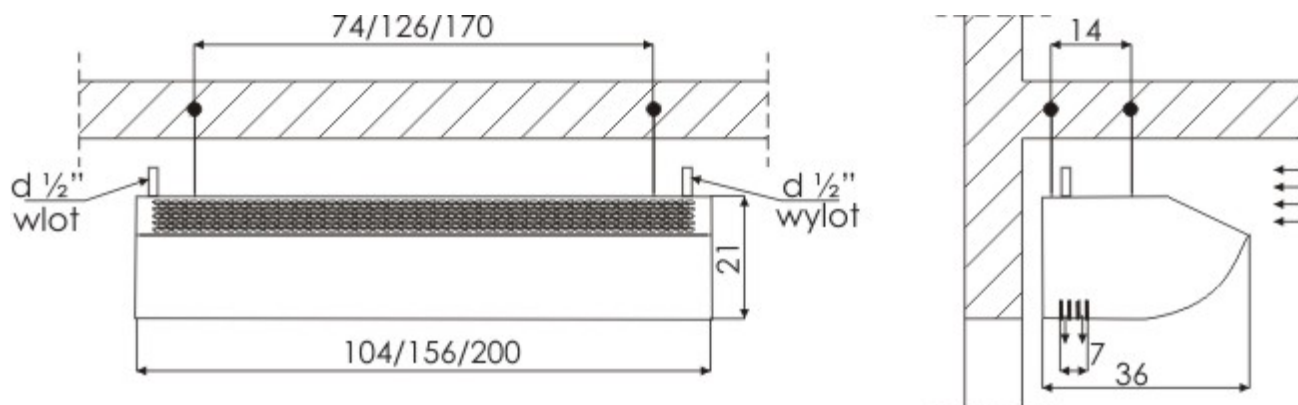


Fan Parameters	
<b>Voltage (V)</b>	230
<b>Motor power (kW)</b>	0,130
<b>Current (A)</b>	0,60
<b>Fan speed (rpm)</b>	1250
<b>Airflow (m<sup>3</sup>/h)</b>	3100

Noise Level (dB(A))		
Selected fan speed	At a distance of 1 m	At a distance of 3 m
<b>3</b>	61	58
<b>2</b>	56	53
<b>1</b>	48	45
Weight		
<b>Weight (kg)</b>	29	

# SMART-200-W

## DIMENSIONS



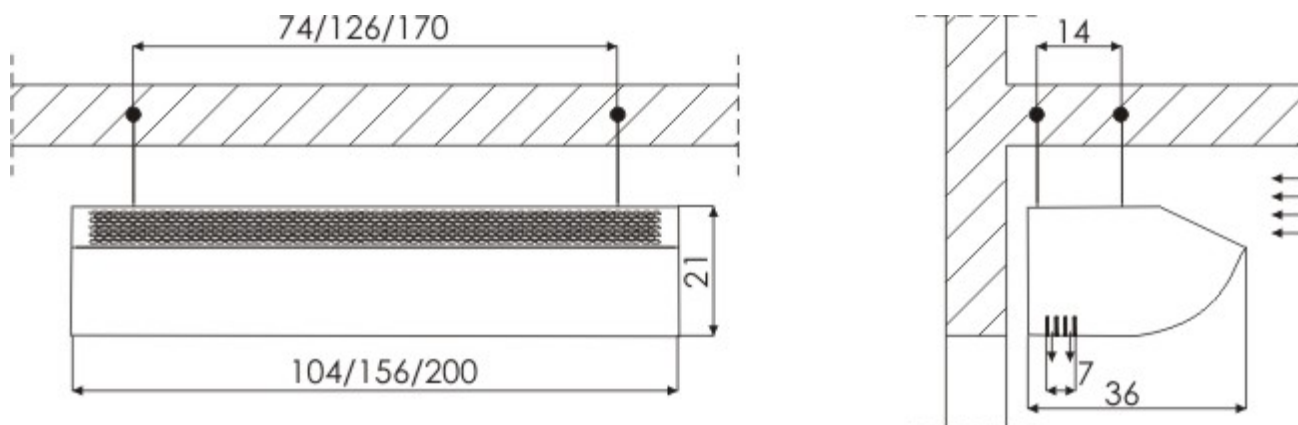
Fan Parameters	
<b>Voltage (V)</b>	230
<b>Motor power (kW)</b>	0,130×2
<b>Current (A)</b>	0,60×2
<b>Fan speed (rpm)</b>	1250

Airflow and Heating Capacity				
<b>Airflow (m<sup>3</sup>/h)</b>				2900
Heating capacity (kW), discharge air temperature (°C) and water pressure drop (kPa)				
<b>Water temperatures (°C)</b>	<b>Entering air temperature (°C)</b>	<b>kW</b>	<b>°C</b>	<b>kPa</b>
<b>90/70</b>	5	23,5	27	1,7
	10	21,5	31	1,3
	15	19,4	34	1,1
	20	17,4	38	1,0
<b>80/60</b>	5	19,5	24	1,5
	10	17,6	27	1,1
	15	15,6	30	0,9
	20	13,8	34	0,7
<b>70/50</b>	5	15,7	20	1,1
	10	13,9	24	0,9
	15	12,7	27	0,7
	20	10,3	30	0,5
<b>60/40</b>	5	12,1	17	0,7
	10	10,4	20	0,4
	15	8,6	23	0,3
	20	7,0	27	0,2

<b>Noise Level (dB(A))</b>		
<b>Selected fan speed</b>	<b>At a distance of 1 m</b>	<b>At a distance of 3 m</b>
<b>3</b>	62	59
<b>2</b>	57	54
<b>1</b>	51	48
<b>Weight</b>		
<b>Weight (kg)</b>	44	

# SMART-200-E

## DIMENSIONS



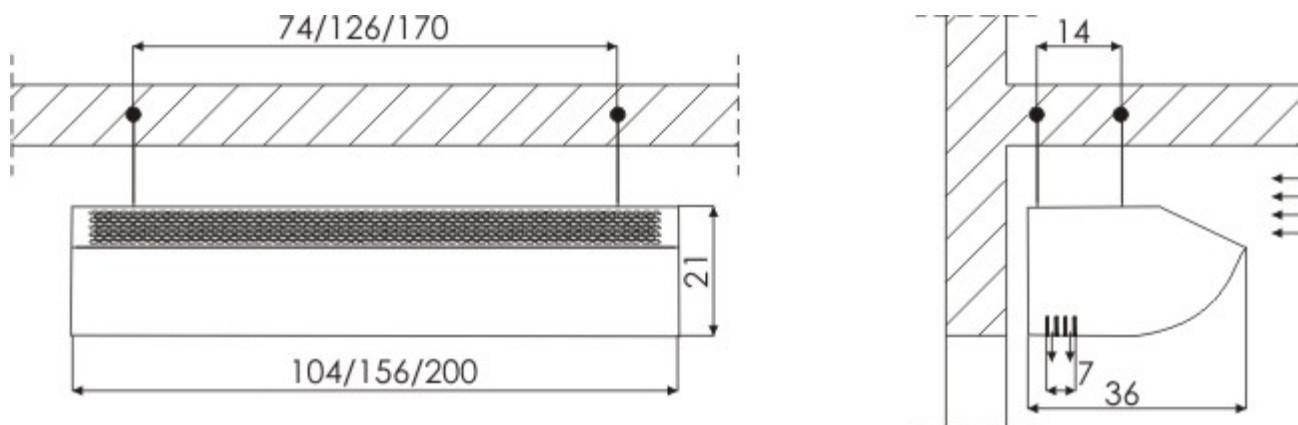
Fan Parameters	
<b>Voltage (V)</b>	230
<b>Motor power (kW)</b>	0,130×2
<b>Current (A)</b>	0,60×2
<b>Fan speed (rpm)</b>	1250

Airflow and Heating Capacity	
<b>Airflow (m<sup>3</sup>/h)</b>	3620
<b>Heating capacity stages (kW)</b>	4 / 8 / 12

Noise Level (dB(A))		
Selected fan speed	At a distance of 1 m	At a distance of 3 m
<b>3</b>	62	59
<b>2</b>	57	54
<b>1</b>	51	48
Weight		
<b>Weight (kg)</b>	46	

# SMART-200-Z

## DIMENSIONS



Fan Parameters	
Voltage (V)	230
Motor power (kW)	0,130×2
Current (A)	0,60×2
Fan speed (rpm)	1250
Airflow (m <sup>3</sup> /h)	3900

Noise Level (dB(A))		
Selected fan speed	At a distance of 1 m	At a distance of 3 m
3	62	59
2	57	54
1	51	48
Weight		
Weight (kg)	38	